



# **DOMINATOR***PLUS*

**User, Installation and Servicing Instructions**

## **GAS FRYERS**

G3830, G3860 & G3865

Read these instructions before use

**DATE PURCHASED:**

---

**MODEL NUMBER:**

---

**SERIAL NUMBER:**

---

**DEALER:**

---

**SERVICE PROVIDER:**

---

**T101115**

Rev No: 1  
Published: 17/06/2024

Dear Customer

Thank you for choosing Falcon Foodservice Equipment.

This manual can be downloaded from [www.falconfoodservice.com](http://www.falconfoodservice.com) or scan here:



**IMPORTANT:** Please keep this manual for future reference.

## Falcon Foodservice Equipment

### HEAD OFFICE

Wallace View, Hillfoots Road, Stirling. FK9 5PY. Scotland.

01786 455200

### PREVENTATIVE MAINTENANCE CONTRACT

To obtain maximum performance from this unit regular servicing of the appliance should be undertaken to ensure correct operation, it is functioning as intended, and safe to use. We recommend servicing in accordance with SFG20 Maintenance Schedules and as a minimum, after 2,500 hours of use, or annually, whichever comes first and that a maintenance contract be arranged with an appointed service contact. Visits may then be made at agreed intervals to carry out adjustments and repairs.



### WEEE Directive Registration No. WEEE/DC0059TT/PRO

At end of appliance life, dispose of appliance and any replacement parts in a safe manner, via a licensed waste handler. Appliances are designed to be dismantled easily and recycling of all material is encouraged whenever practicable.

# CONTENTS

---

<b>1.0</b>	<b>SYMBOLS &amp; LABELS</b> .....	<b>5</b>
<b>2.0</b>	<b>SAFETY GUIDANCE</b> .....	<b>6</b>
2.1	GENERAL SAFETY.....	6
2.2	INSTALLATION SAFETY.....	7
2.3	ELECTRICAL SAFETY.....	8
2.4	GAS SAFETY .....	8
2.5	FIRE SAFETY.....	8
2.6	MAINTENANCE SAFETY .....	10
<b>3.0</b>	<b>APPLIANCE INFORMATION</b> .....	<b>11</b>
<b>4.0</b>	<b>OPERATION AND CULINARY GUIDANCE</b> .....	<b>12</b>
4.1	G3830 COMPONENT PARTS.....	12
4.2	G3860 COMPONENT PARTS.....	13
4.3	G3865 COMPONENT PARTS.....	14
4.4	CONTROLS.....	15
4.5	USING THE APPLIANCE .....	16
4.6	SAFETY RESET .....	19
4.7	CULINARY GUIDANCE .....	19
<b>5.0</b>	<b>CLEANING AND MAINTENANCE</b> .....	<b>21</b>
<b>6.0</b>	<b>SPECIFICATION</b> .....	<b>24</b>
6.1	APPLIANCE WEIGHT TABLE .....	24
6.2	INJECTOR SIZES & PRESSURE TABLE.....	24
6.3	HEAT INPUT TABLE .....	24
<b>7.0</b>	<b>DIMENSIONS / CONNECTION LOCATIONS</b> .....	<b>25</b>
7.1	G3830 FRYER.....	25
7.2	G3860 FRYER.....	26
7.3	G3865 FRYER.....	27
<b>8.0</b>	<b>INSTALLATION</b> .....	<b>28</b>
8.1	SITING / CLEARANCES.....	28
8.2	VENTILATION .....	28
8.3	ASSEMBLY .....	29
8.4	GAS SUPPLY & CONNECTION.....	30
8.5	COMMISSIONING .....	30

<b>9.0</b>	<b>CONVERSION .....</b>	<b>31</b>
9.1	GAS CONVERSION CHECK LIST .....	31
<b>10.0</b>	<b>SERVICING .....</b>	<b>32</b>
10.1	CONTROL PANEL .....	33
10.2	SAFETY THERMOSTAT .....	34
10.3	PIEZO IGNITER AND SPARK ELECTRODE .....	36
10.4	GAS VALVE .....	37
10.5	PILOT ASSEMBLY .....	40
10.6	BURNER .....	41
10.7	GOVERNOR .....	42
<b>11.0</b>	<b>ACCESSORIES.....</b>	<b>43</b>
11.1	SPLASHGUARD .....	43
<b>12.0</b>	<b>FAULT FINDING .....</b>	<b>44</b>
<b>13.0</b>	<b>SPARE PARTS .....</b>	<b>45</b>

## 1.0 SYMBOLS & LABELS

---



SCREWDRIVER



SPANNER



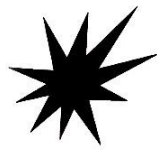
COOKING OIL



GREASE



WARNING



SPARK IGNITION



FLAME



VIEWPORT



ALLEN KEY



IGNITER



C SPANNER



REMOVE DEVICE



PLUG REMOVER



WARNING  
ELECTRICITY



READ MANUAL



FIRE RISK

## 2.0 SAFETY GUIDANCE

---

### 2.1 GENERAL SAFETY



2.1.1 These instructions are only valid if the country code appears on the appliance. If the code does not appear on the appliance, refer to the technical instructions for adapting the appliance to the conditions for use in that country.

2.1.2 These appliances have been UKCA/CE-marked based on compliance with the Gas Appliance Regulations/Product Safety and Metrology Regulations for the Countries, Gas Types and Pressures as stated on the data plate.



2.1.3 This equipment is for professional use only and must be used by qualified persons.

2.1.4 Never leave this appliance unsupervised when in use and always turn appliance off at the end of service.



2.1.5 The installer must instruct the responsible person(s) of the correct operation and maintenance of the appliance.

2.1.6 Check that no damage has occurred to the appliance during transit. If damage has occurred, do not use this appliance.

2.1.7 Min-Level Mark: Oil should never be allowed to drop below the mark. Should this occur, top up immediately or switch off the fryer.



2.1.8 Suitable Protective clothing must be worn when topping up whilst the fryer is hot.

2.1.9 To prevent surge boiling. **DO NOT EXCEED** recommended loads or charge pan with over-wet food items. **NEVER** leave a working appliance unattended.

2.1.10 If the appliance is fitted with an oil bucket, take care when removing as oil bucket is heavy when full.

2.1.11 Training and Competence: To help ensure the safe use of this appliance there is a requirement for you to provide whatever information, instruction, training, and supervision as is necessary to ensure, so far as is reasonably practicable, the health and safety of all users.

2.1.12 For further help and information on training and competence we refer you to the Health & Safety Executive website; [www.hse.gov.uk](http://www.hse.gov.uk) document ref: health and safety training INDG345. International customers should default to the health and safety guidelines provided by your government body.



2.1.13 Risk Assessment: As part of managing the health and safety of your business you must control any risks identified in your commercial kitchen. To do this you need to think about what might cause harm to people and decide whether you are taking reasonable steps to prevent that harm. This is known as risk assessment. It is important to consider the environment around the product as well as the product itself. For example, oil or food spills will present a significant risk so users so the need to immediately clean up such spills must be reflected in staff training.

2.1.14 Record the training that you provide and support it by providing safe system of work (SSOW) documents that set out procedures to be followed for potentially hazardous tasks.

2.1.15 For further help and information on risk assessments we would refer you to you the Health and Safety Executive website; [www.hse.gov.uk](http://www.hse.gov.uk) document ref: risk assessment INDG163. International customers should default to the health and safety guidelines provided by your government body.

## 2.2 INSTALLATION SAFETY



2.2.1 Installation must meet national or local regulations. Attention must be paid to safety (installation & use) regulations, health and safety at work act, local and national building regulations, fire precautions act.

2.2.2 The installer must instruct the responsible person(s) of the correct operation and maintenance of the appliance.

2.2.3 On gas appliances, only competent persons are allowed to service or convert the appliance to another gas type.

2.2.4 Put a documented system in place for periodic inspections, testing and maintenance of our gas appliances.

## 2.3 ELECTRICAL SAFETY



2.3.1 To prevent shocks, this appliance must be earthed.

2.3.2 This unit is fitted with an equipotential connection at the rear.

## 2.4 GAS SAFETY



2.4.1 Gas appliances must have a stop cock fitted in the supply pipe work. The user must be familiar with the location and operation of this device in order to turn off the supply of gas in the event of an emergency.

2.4.2 Before Inspection, Servicing or Conversion, Turn Off Gas at isolator.

## 2.5 FIRE SAFETY



**Fryers can present various hazards in the catering environment if not correctly used, operated, and maintained. Hazards including fire, burns from hot oil, contact with hot surfaces, fumes from boiling cleaning chemicals, eye injuries from splashes and slips from oil spillages.**

### **Operator Competency and Training**

2.5.1 Ensure you are trained in the safe and proper use of the fryer and know how to turn it off and switch the power or gas off at the mains.

2.5.2 Ensure you are familiar with the kitchen fire safety procedures and the location and proper use of correct fire safety equipment.

### **Fryer Safety Equipment**

2.5.3 Provide an appropriate BS compliant fire blanket, and an adequate number of fire extinguishers that comply with BS EN 3 (parts 1-6) and carry a BAFF or LPCB approval mark. At least one must be appropriate for use on electrical fires, and one for deep-fat fryers (Class F).

### **Fryer Suppression System**

2.5.4 We recommend kitchen equipment and extraction systems are protected with a fire suppression system. Check your insurance as this may also be a condition of your policy.



2.5.5 Protect cooking and extraction equipment (including any associated extraction ductwork and hoods inside the building) by having an extinguishing system installed, in line with (or the equivalent of) [LPS 1223](#). The system should include a local alarm, automatic activation by a detection system and manual activation – located a safe distance away from the cooking equipment, preferably by a fire escape route door.

### **Operational Fryer Safety**

2.5.6 Do not leave the fryer unattended when powered on or when it is in use.

2.5.7 Always switch the fryer off and replace the pan cover/ lid when not in use.

### **Cleaning**

2.5.8 Ensure fryers are regularly cleaned serviced and maintained by a qualified and competent service provider, and there is enough room around the appliance to do so.

2.5.9 Ensure that the appliance, surrounding work area and extraction system are regularly cleaned, (at least weekly) to avoid the build-up of fats oils and greases that could present a fire risk. A deep clean should be undertaken at least every 6 months by a specialist contractor.

### **Oil Safety**

2.5.10 Do not operate the fryer with no or low oil levels.

2.5.11 We do not recommend using Solid Fat with these fryers as control does not have a Fat Melt Cycle.

2.5.12 Regularly change your cooking oil. Use colour charts to check on oil quality.



2.5.13 If you see the cooking oil or fat smoking, switch the fryer off, allow to cool, drain oil, clean and dry fryer pan thoroughly and replace with fresh oil. If the clean fryer oil smokes when heated, switch off immediately and contact service engineer. Do not switch fryer back on.

2.5.14 Never add water to the fryer medium at any time.

### **Gas Isolation Point**

2.5.15 Ensure any separate gas shut off switches provided for cooking equipment and/or extractor fans are accessible and clearly labelled.

## Care and Maintenance of Thermal and Operational Safety Devices

2.5.16 Your fryer is fitted with a thermal safety device. This will stop heating of oil if it becomes overheated. This appliance will always fail safe so long as there is no damage to the thermal safety device.



2.5.17 Failure to clean and check the safety and operational thermostats can impact the performance of the appliance and increase the risk of an appliance fire.

2.5.18 Damage to the thermostat sensors or their capillaries can increase the risk of overheating or fire.

2.5.19 Do not operate the fryer if the safety devices located within the fryer pan appear to be dislodged or damaged.

## 2.6 MAINTENANCE SAFETY



2.6.1 Unless otherwise stated, parts which have been protected by the manufacturer must not be adjusted by the installer or end user.

2.6.2 Suitable protective clothing must be worn when cleaning this appliance.

2.6.3 Oil must be allowed to cool to a safe temperature before draining. Do not overfill the oil container. All spills onto the appliance and on the floor should be cleaned up immediately

2.6.4 The appliance must not be cleaned with a jet of water or steam cleaned. Do not use acid or halogen-based (e.g., chlorine) descaling liquids, flammable liquids, cleaning aids or cleaning powders.

2.6.5 Failure due to lack of proper cleaning is not covered by warranty.

2.6.6 Particular attention must be paid to cleaning the Thermostat bulb & Capillaries.



2.6.7 Take care when cleaning not to dislodge or damage thermostat sensors mounted on the base and side of the pan.



2.6.8 If the thermostats or capillaries are damaged, then do not turn the appliance on. Contact Falcon or you approved service provider to undertake the necessary repairs.

2.6.9 To obtain maximum performance from this unit regular servicing of the appliance should be undertaken to ensure correct operation, it is functioning as intended, and safe to use. We recommend servicing in accordance with SFG20 Maintenance Schedules and as a minimum, after 2,500 hours of use, or annually, whichever comes first and that a maintenance contract be arranged with an appointed service contact. Visits may then be made at agreed intervals to carry out adjustments and repairs.



2.6.10 During Servicing of the appliance, where applicable, please ensure seals are checked. If the integrity of the seal is compromised, it must be replaced.

### 3.0 APPLIANCE INFORMATION

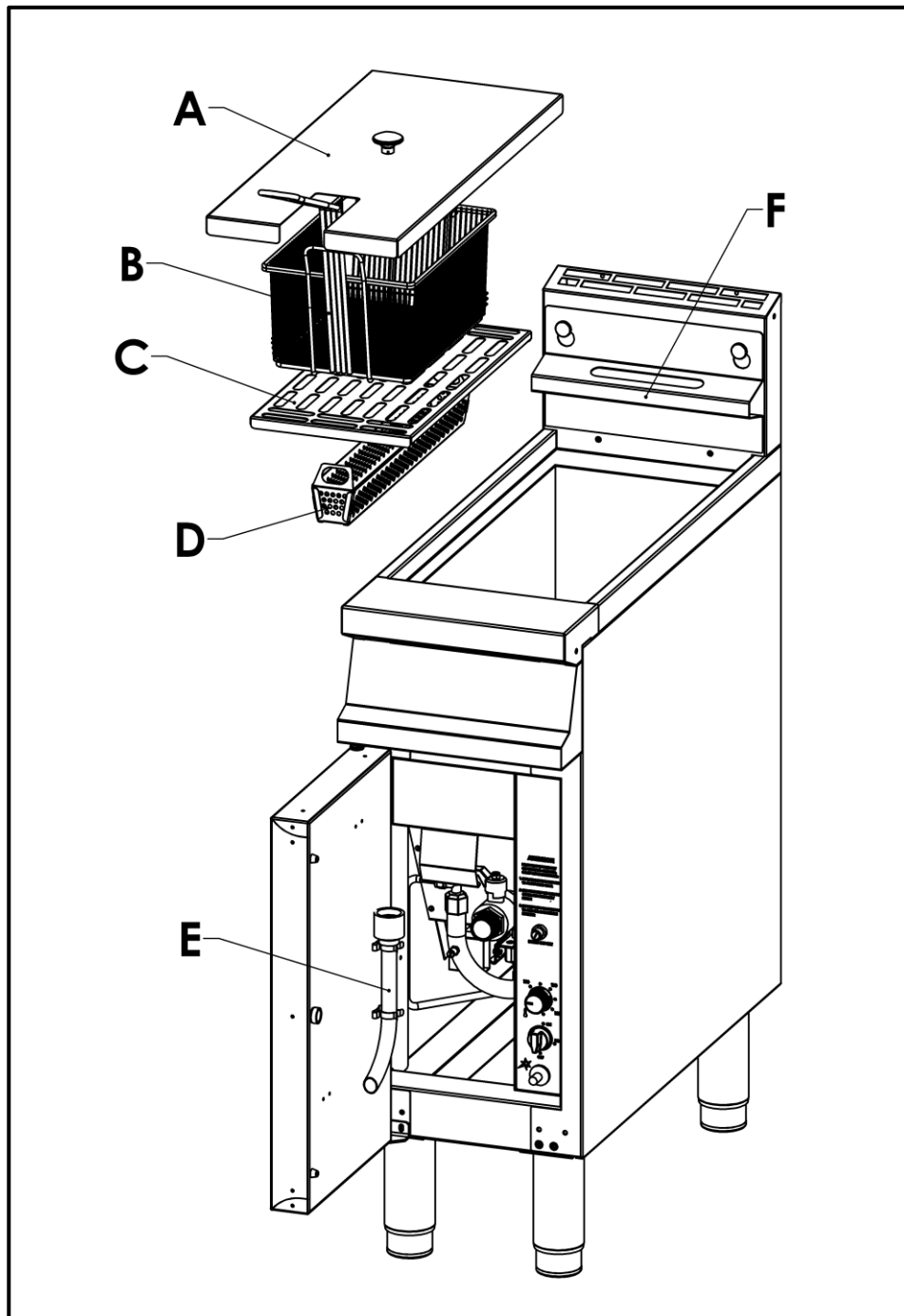
This appliance has been UKCA/CE-marked based on compliance with the Gas Appliance Regulations/Product Safety and Metrology Regulations for the Countries, Gas Types and Pressures as stated on the data plate.

<b>Falcon</b> Foodservice Equipment 	STD .	MODEL xxx .	SERIAL NO. Fxxxxxx	GAS TYPE .	
	SUPPLY PRESS . mbar	COUNTRY .	P.I.N .	CAT .	
	INJECTOR MARKING	HEAT INPUT	kW	GAS RATE	ADJ PRESS . mbar
			kW	m <sup>3</sup> /h	SET PRESS OVEN . mbar
			kW	kg/h	SET PRESS BOILER . mbar
	RATED ELECTRIC INPUT . kW	VOLTS .	OUTPUT FREQ . kHz	EXT FUSE . A	
	PHASE LOADING	L1 -A	L2 -A	L3 -A	Hz INT FUSE . A
SCRAP			MODEL xxx	Fxxxxxx	

## 4.0 OPERATION AND CULINARY GUIDANCE

---

### 4.1 G3830 COMPONENT PARTS.



A - Dust Cover

B - Basket

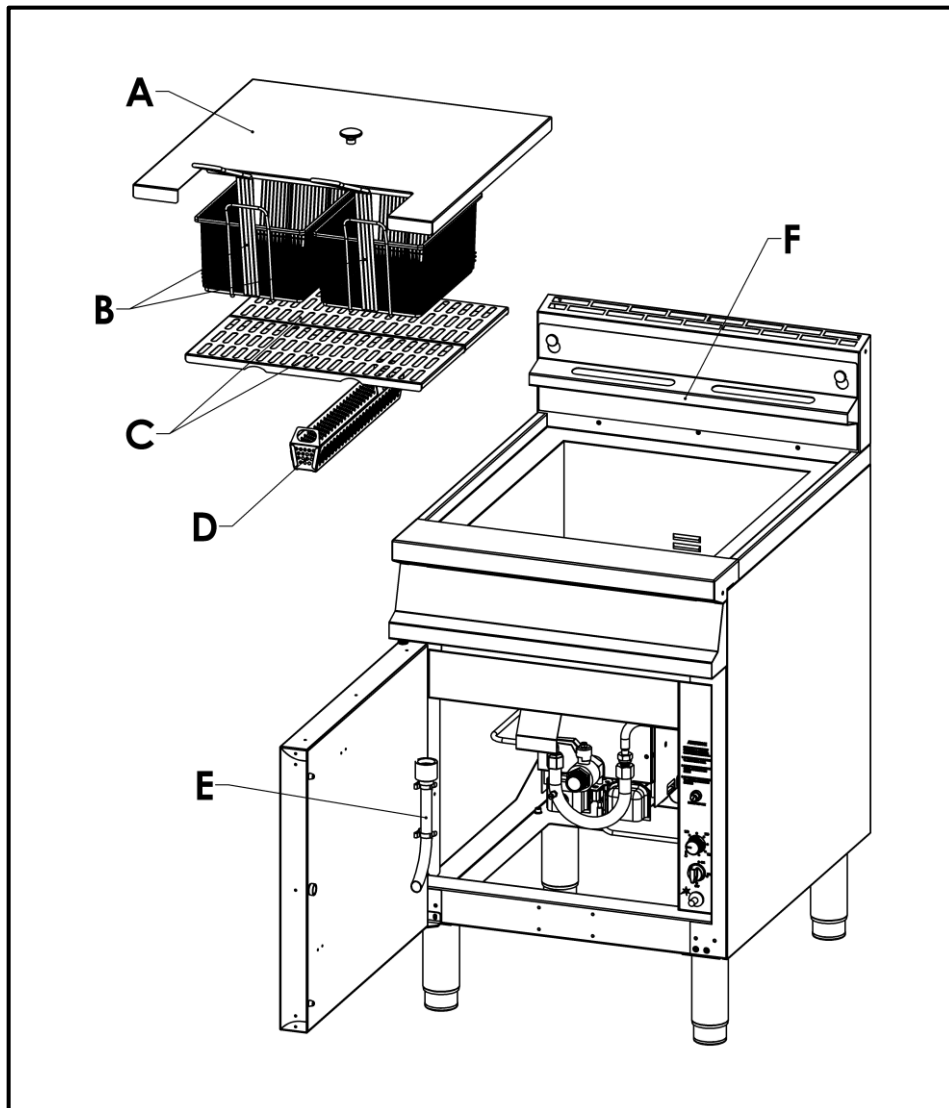
C - Fry Plate

D - Crumb Catcher

E - Drain Tube

F - Basket Hanger

## 4.2 G3860 COMPONENT PARTS.



A - Dust Cover

B - Baskets

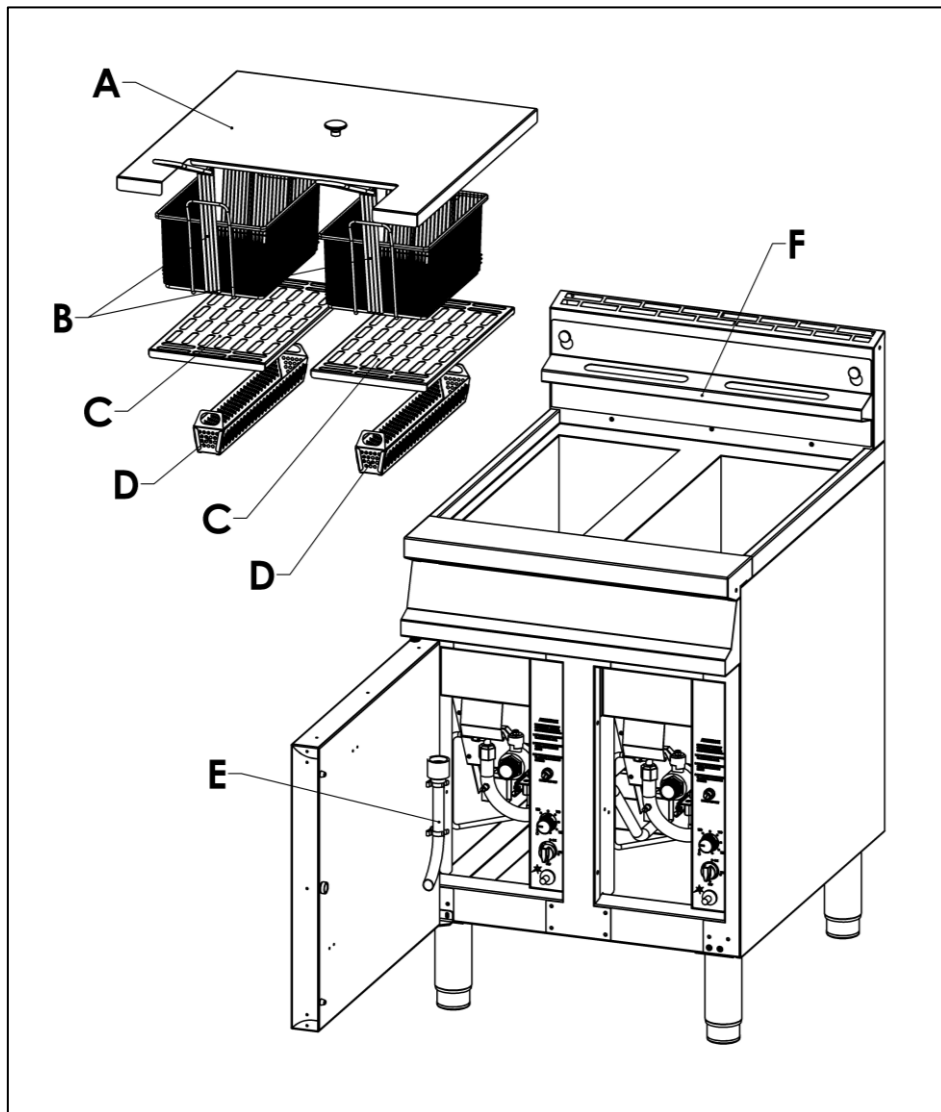
C - Fry Plates

D - Crumb Catcher

E - Drain Tube

F - Basket Hanger

### 4.3 G3865 COMPONENT PARTS.



A - Dust Cover

B - Baskets

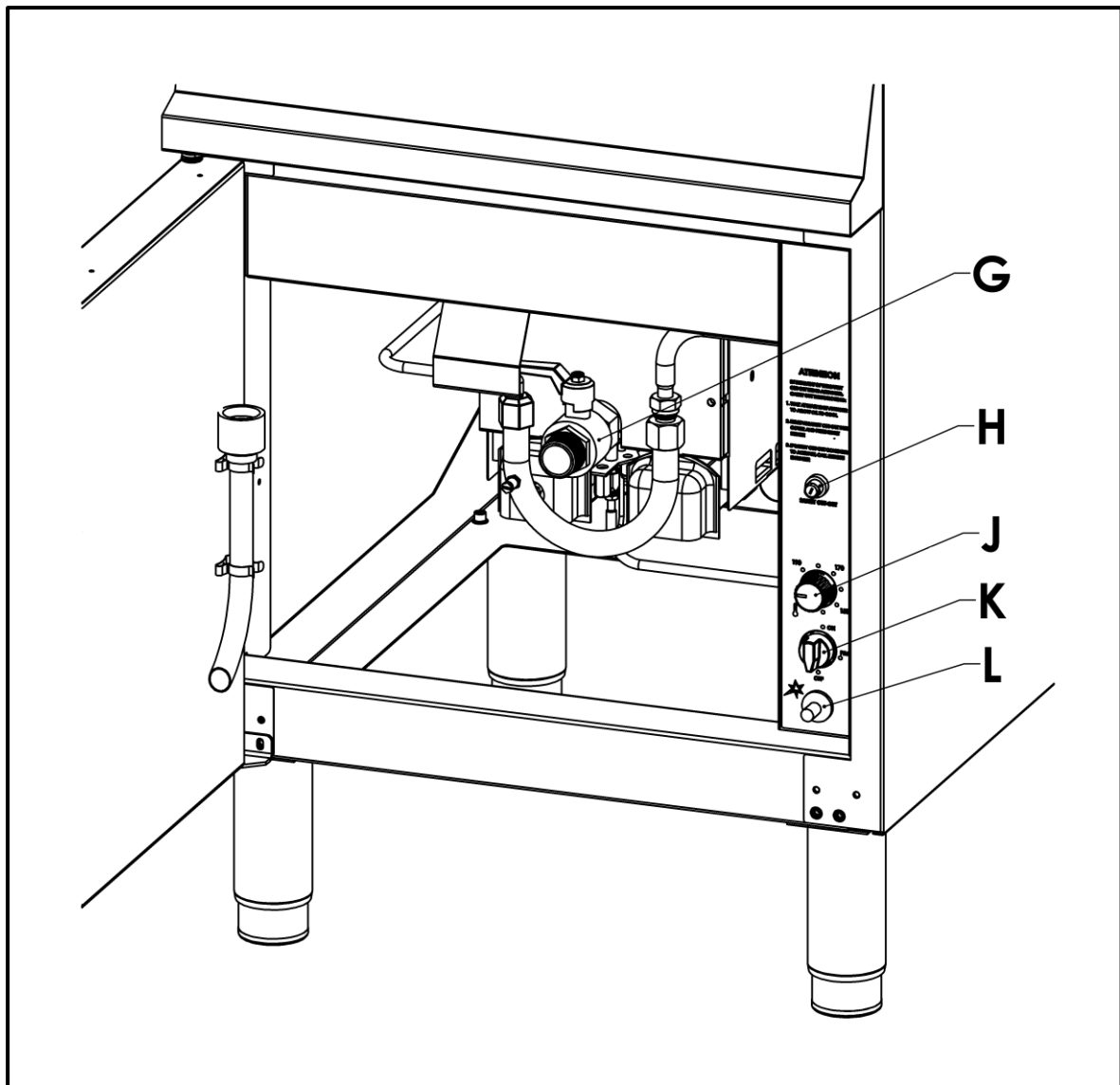
C - Fry Plates

D - Crumb Catchers

E - Drain Tube

F - Basket Hanger

#### 4.4 CONTROLS.



G - Drain Valve

K - Gas Control

H - Safety Thermostat Reset Button

L - Piezo Igniter

J - Temperature Control

## 4.5 USING THE APPLIANCE

4.5.1 Always clean the appliance before use. See section 5.0.

**PARTICULAR ATTENTION MUST BE PAID TO CLEANING THE THERMOSTAT BULB AND CAPILLARIES.**



**ENSURING FOOD DEBRIS DOES NOT BUILD UP, WHICH COULD DETRIMENTALLY AFFECT THE PERFORMANCE AND SAFETY OF THE APPLIANCE.**



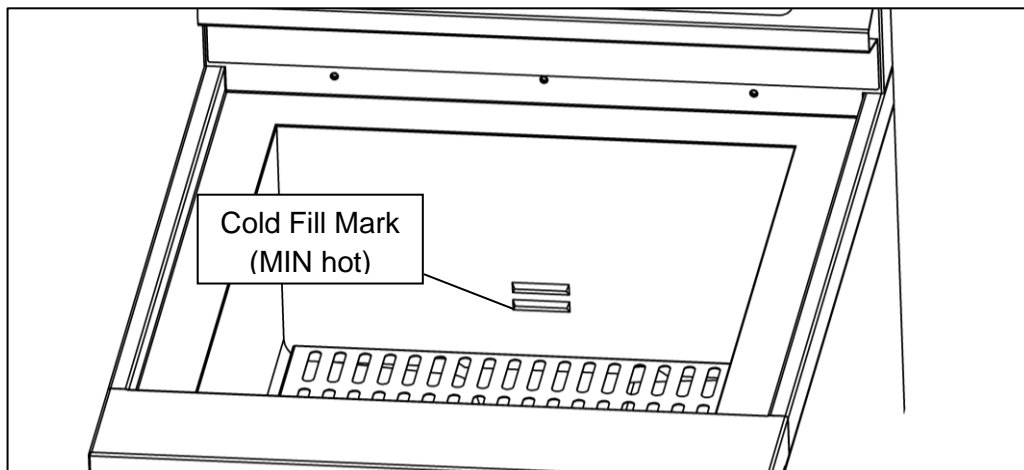
**NEVER STORE MATERIALS THAT ARE SUSCEPTIBLE TO HEAT UNDER THE BURNER INSIDE THE APPLIANCE.**

**NEVER ADD COOKING OIL TO A FRYER IF IT IS NOT COMPLETELY DRY OF WATER. DOING SO CAN LEAD TO EXPLOSION OF HOT COOKING OIL.**

4.5.2 Ensure the **drain valve** is closed and fill the pan with **cold** good quality vegetable oil to the level indicated by the **lower strip on rear of pan**. This level is the maximum cold fill mark to achieve the stated performance of the fryer. The volume of oil will increase as the oil is heated and rise to the maximum **hot** oil mark above.

The volume of cold oil, when filled to the **lower strip mark** is:

G3830	15 Litres
G3860/F	24 Litres
G3865/F	2 x 15 litres



**ALWAYS MAINTAIN AN OIL LEVEL BETWEEN MAX AND MIN LEVELS INDICATED ON REAR WALL OF THE PAN WHEN HOT.**



**WHEN HOT, THE COOKING OIL MUST NEVER BE ALLOWED TO DROP BELOW THE MIN LEVEL AS THIS WILL LEAD TO AN UNSAFE SITUATION.**

**IF THIS HAPPENS THE OIL MUST BE TOPPED UP BEFORE CONTINUING TO USE THE FRYER.**



**NEVER ALLOW OIL TO GO ABOVE MAX LEVEL WHEN UNLOADED AS THIS MAY CAUSE THE OIL TO OVERFLOW FROM THE PAN WHEN FOOD IS LOWERED INTO OIL.**

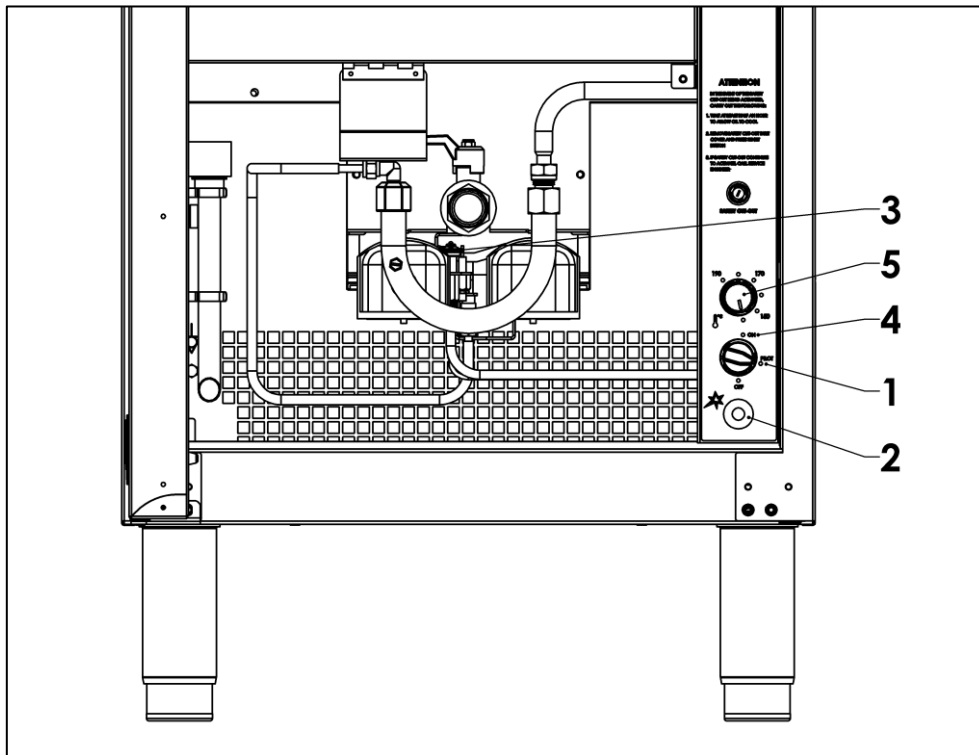


**SUITABLE PROTECTIVE CLOTHING AND ALL CARE NECESSARY MUST BE USED WHEN TOPPING UP A HOT FRYER.**

**IT IS RECOMMENDED THAT REPLENISHMENT OF THE OIL TAKES PLACE WHEN THE FRYER IS COOL.**

Refer to illustration below:

- 4.5.3 Turn **gas control** to the **PILOT** **1** position then push the knob in.
- 4.5.4 While still holding the **gas control knob** in at the **PILOT** **1** position, repeatedly press the **piezo igniter** **2** until the pilot burner lights.
- 4.5.5 Once the pilot flame can be seen **3**, continue to hold the **gas control knob in** for a further 20 seconds. Pilot should remain lit when knob is released. If not, repeat process.



- 4.5.6 When pilot holds, turn the **gas control** to the **ON** **4** position. Main burner will now light. Set the **temperature control** **5** as required between 140°C and 190°C.



**APPLIANCES THAT ARE IN USE MUST BE SUPERVISED AT ALL TIMES.**

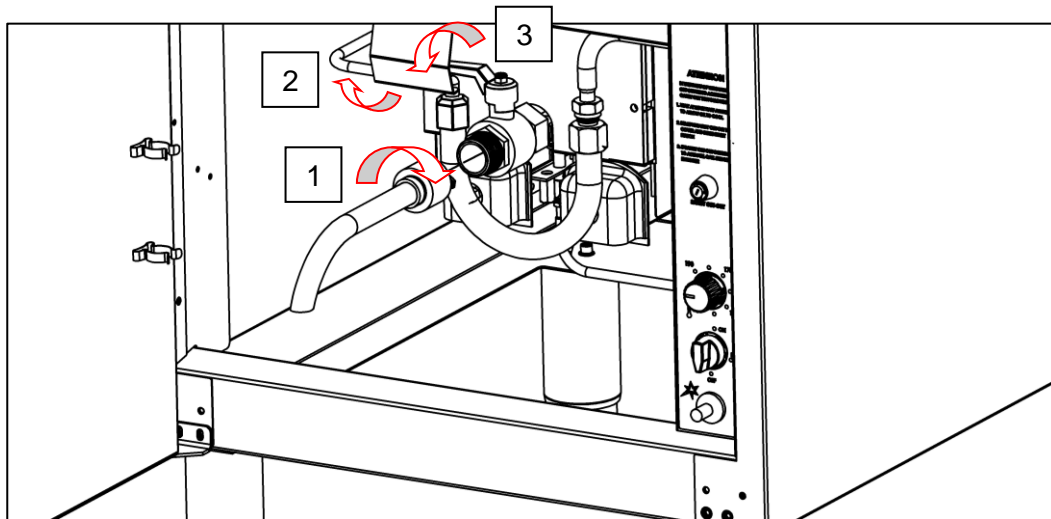


**OIL SHOULD NOT BE OVERHEATED AS THIS WILL INCREASE THE RISK OF FIRE**

**FRYER IS FITTED WITH A THERMAL SAFETY DEVICE. THIS WILL STOP HEATING OF OIL IF IT BECOMES OVERHEATED. THIS APPLIANCE WILL ALWAYS FAIL SAFE.**

4.5.7 To turn the main burner off, turn the **gas control** to **PILOT** **1** position. To turn appliance off completely turn gas control knob to **OFF** position.

4.5.8 **G3830/G3860/G3865 Draining** – Draining old oil must be done after the oil has been allowed to cool. Ignoring this advice may lead to burns. Connect the supplied **drain tube** onto the **drain valve** **1** as shown below. The drain valve handle is behind safety cover panel. Lift the safety panel **2** up to gain access to handle, then turn handle **3** to empty the oil into a suitable disposal container. Any large pieces of debris will be captured by the crumb catcher.

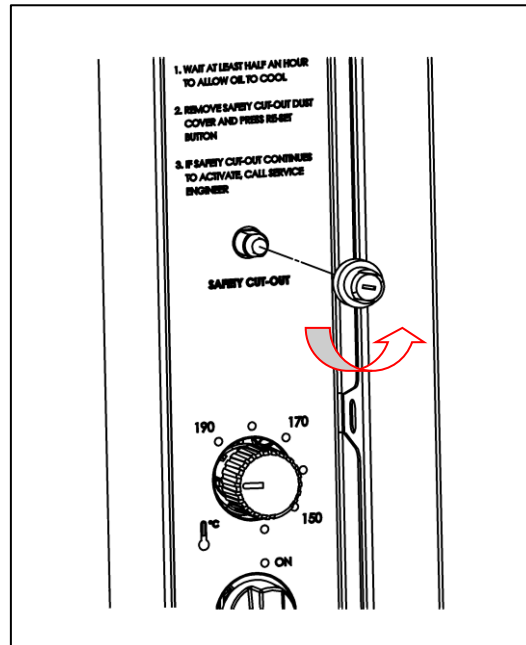


**THE DRAIN VALVE MUST ONLY BE OPERATED WHEN THE GAS CONTROL IS SET TO OFF. NOT FOLLOWING THIS PART OF THE PROCEDURE WILL LEAD TO THE RESIDUAL OIL IN THE FRYER CATCHING FIRE.**

## 4.6 SAFETY RESET

4.6.1 The **safety thermostat** is to prevent fire in the event of an operating thermostat failure and will prevent the main burners from working. If the burners don't turn on, it may be due to the safety cut-out being activated and the safety thermostat needing to be reset.

4.6.2 To reset the safety thermostat, first ensure the **gas control** is turned **OFF** and **wait at least half an hour for the oil to cool**. Remove the black dust cover and press the safety thermostat reset button as shown below.



**IF SAFETY CUT-OUT CONTINUES TO TRIP, A QUALIFIED ENGINEER MUST INVESTIGATE THE CAUSE.**

## 4.7 CULINARY GUIDANCE



**CARE MUST BE TAKEN WHEN INTRODUCING FROZEN OR WET PRODUCT INTO HOT OIL TO PREVENT SURGE BOILING.**

**OLD OIL WILL HAVE A REDUCED FLASH-POINT AND BE PRONE TO SURGE BOILING.**

**WATER MUST NEVER BE INTRODUCED INTO HOT OIL.**

**OVERLOADING THE BASKETS WILL AFFECT THE FRYER PERFORMANCE.**



**SETTING THE OIL TEMPERATURE ABOVE THE RECOMMENDED VALUE MAY REDUCE THE LIFE OF OIL.**

**NEVER LEAVE A WORKING UNIT UNATTENDED.**

- Take additional care when frying wet products or items from frozen, to prevent surge boiling.

Where applicable in accordance with food product to be fried, allow food to thaw slightly prior to adding to hot oil to avoid increased thermal shock to oil.

Adjust frying temperature and frying times in accordance with food type, condition i.e. fresh chilled or frozen, battered or crumbed, etc.

Frying at correct temperatures will enhance food appearance and eating qualities, as well as extend the life and safe usability of the oil.

Regular oil skimming must take place during frying, by using a spider or long handle sieve scoop to get rid of floating food debris. Failing to skim, will create an eventual discoloration/darkening of the oil. Which will affect food quality, flavour and appearance.

150° - 175°C is a good frying temperature range.

- |                      |             |                           |
|----------------------|-------------|---------------------------|
| ○ Delicate           | 150 - 160°C | such as crispy vegetables |
| ○ Crumbed frozen     | 155 - 160°C |                           |
| ○ Crumbed fresh      | 160°C       |                           |
| ○ Battered fresh     | 165 - 170°C |                           |
| ○ Tempura            | 160 - 165°C |                           |
| ○ Spring rolls       | 165 - 170°C | fresh or frozen           |
| ○ Wontons            | 165 - 170°C | fresh or frozen           |
| ○ Samosas            | 160 - 165°C |                           |
| ○ Chips thin fresh   | 170°C       |                           |
| ○ Chips thin frozen  | 160 - 165°C |                           |
| ○ Chips thick fresh  | 150 - 170°C |                           |
| ○ Chips thick frozen | 160 - 165°C |                           |

Never decant frozen, breaded / crumbed products directly into basket over oil in tank. It is advised to use appropriate trays with fryer basket in them, and then to fill with above products. Giving the baskets a good, few, shakes, will eliminate the excess crumbs and avoid from additional food debris contamination in oil.

- Fresh oil is best. Replace oil regularly, as old oil has a lower flash point which will lead to eventual surge boiling.
- Using old oil further affects performance and adversely affects food quality, fry times and food output.
- Do not overload the baskets and or fryer. Check the maximum allowed weight prescribed for the specific basket used – i.e. 1.5kg or 1.8kg chilled chips per basket.

A rough guide would be to fill the basket halfway which would equate to the maximum volume approximately.

- Fryers when in operation / on, should never be left unattended.
- Water or any other liquid must never be stored near, above or in adjacent equipment, to fryers.

## 5.0 CLEANING AND MAINTENANCE

---

### MAINTENANCE CHECK

Regular servicing of the appliance should be undertaken to ensure correct operation, it is functioning as intended, and safe to use. We recommend servicing after 2,500 hours of use, or annually, whichever comes first.

Any maintenance schedule should be carried out in accordance with SFG20 Maintenance Schedules. Should any issues with the integrity of the components be identified these should be replaced. If the appliance is not considered safe the unit should be removed from service and the responsible person advised why the unit is not safe to use and what remedial action is needed. Contents of the maintenance schedule should be agreed with the maintenance provider.

When removing heavy items to aid cleaning or maintenance particular care should be taken. A manual handling risk assessment is the best way to determine the level of risk to anyone using or maintaining this equipment. To help with such an evaluation we have included the weights of individual components that may present significant risk.

For further help and information on manual handling and associated risk assessment we would refer you to you the Health and Safety Executive website; [www.hse.gov.uk](http://www.hse.gov.uk) document ref: manual handling at work INDG143. International customers should default to the health and safety guidelines provided by your government body.

The cleaning of fryers or other products that use hot oil present significant risks to end users and particular care should be taken. Cold water and hot oil for example are an explosive mix and should be avoided at all costs.

Other useful references for health and safety issues:

- [www.hse.gov.uk](http://www.hse.gov.uk)
- Essentials of health and safety at work ISBN978
- Noise at work INDG362
- Safe systems of work
- Other notes added to the body of the instructions



**BEFORE ANY CLEANING IS UNDERTAKEN, ISOLATE APPLIANCE FROM GAS SUPPLY.**

**SUITABLE PROTECTIVE CLOTHING MUST BE WORN WHEN CLEANING THIS APPLIANCE.**

**OIL MUST BE ALLOWED TO COOL TO A SAFE TEMPERATURE BEFORE DRAINING. DO NOT OVERFILL OIL BUCKET.**

**THE APPLIANCE MUST NOT BE STEAM CLEANED. DO NOT USE ACID OR HALOGEN-BASED (E.G. CHLORINE) DESCALING LIQUIDS, FLAMMABLE LIQUIDS, CLEANING AIDS OR CLEANING POWDERS.**

**NEVER CLEAN PRODUCTS WHILST THEY ARE HOT – ALL SPILLS ON TO THE PRODUCT AREA OR THE FLOOR SHOULD BE CLEANED UP IMMEDIATELY**

**FAILURE DUE TO LACK OF PROPER CLEANING IS NOT COVERED BY WARRANTY.**

**Note:** All surfaces are easier to clean if spillage is removed before it becomes burnt on, cleaned daily. Clean more often and better will result in less time wasted on heavier deep cleaning.

It should be noted that certain scouring pads including nylon types can easily mark stainless steel. Care should be exercised during cleaning process. When rubbing stainless steel with a cloth, always rub in grain direction.

5.1.1 Turn appliance off and cool down.

5.1.2 Drain oil as stated in section 4.5.8.

5.1.3 Remove **baskets, fry plates, and crumb catcher** and wash it in warm soapy water. Rinse and dry thoroughly before replacing them back in the appliance.

5.1.4 Ensure drain valve is closed and fill pan with warm soapy water to the oil level mark. Soak overnight if necessary.

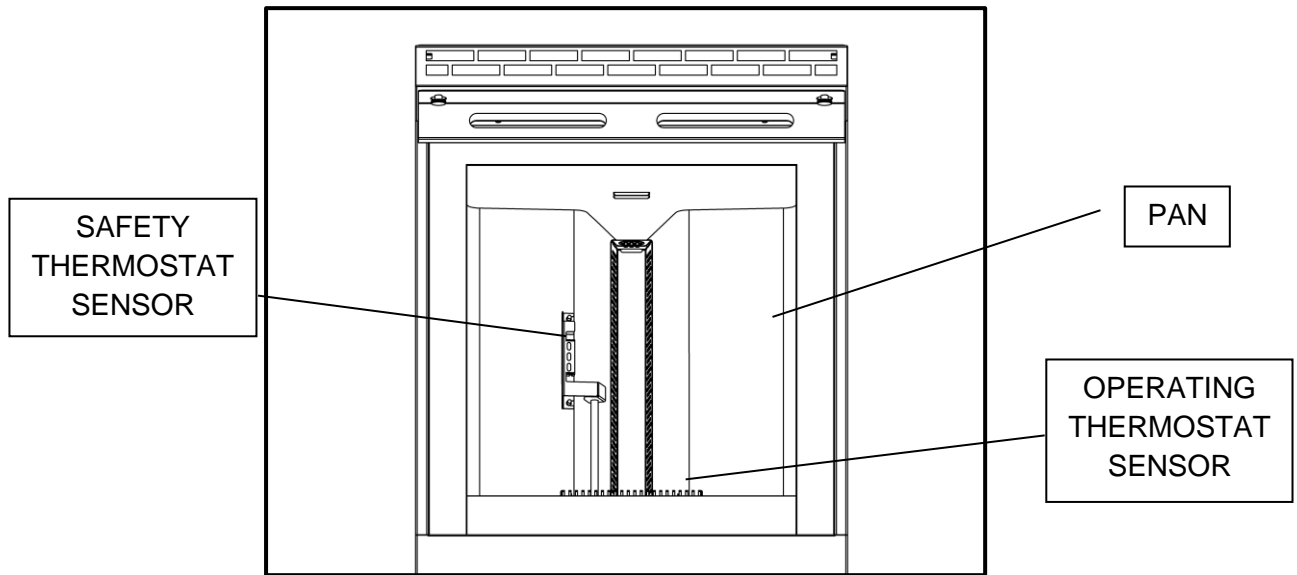
5.1.5 Carefully clean the safety and operating thermostats removing any food debris from around the thermostat sensors and protective guards which could detrimentally affect the performance and safety of the appliance.

**TAKE CARE WHEN CLEANING NOT TO DISLODGE OR DAMAGE THERMOSTAT SENSORS MOUNTED ON THE BASE AND SIDE OF THE PAN.**



**DAMAGE TO THE THERMOSTAT SENSORS OR THEIR CAPILLARIES CAN INCREASE THE RISK OF OVERHEATING OR FIRE.**

**IF THE THERMOSTATS OR CAPILLARIES ARE DAMAGED THEN DO NOT TURN THE APPLIANCE ON. CONTACT FALCON OR YOU APPROVED SERVICE PROVIDER TO UNDERTAKE THE NECESSARY REPAIRS.**



5.1.6 Surrounding areas, such as flue and basket hangers can be cleaned in the same way. Basket hangers may be removed and cleaned separately.

5.1.7 When and where needed, remove fat splashes and spills from the fryer inside door and accessible internal areas.

5.1.8 Rinse with clean water before draining. Dry pan thoroughly.

5.1.9 Dry all components thoroughly before replacing them back in the appliance.



**DO NOT RE-FILL OIL UNTIL THE PAN AND ALL COMPONENTS ARE COMPLETELY DRY, INCLUDING THE INSIDE OF THE DRAIN VALVE.**

## 6.0 SPECIFICATION

### 6.1 APPLIANCE WEIGHT TABLE

APPLIANCE	UNIT WEIGHT (kg)	PACKED WEIGHT (kg)
G3830	59	65
G3860	74	81
G3865	99	106

These fryer models have no heavy lift-off components.

### 6.2 INJECTOR SIZES & PRESSURE TABLE

G3830 INJECTOR SIZES & PRESSURE			
		NATURAL GAS	PROPANE
G3830 main burner injector		2 x Ø 2.38mm	2 x Ø 1.47mm
Cross-lighter		0.026	0.016
Pilot Injectors		SIT51	SIT35
Supply Pressure	mbar	20	37
Operating Pressure	mbar	13	35.6

G3860 INJECTOR SIZES & PRESSURE			
		NATURAL GAS	PROPANE
G3860		2 x Ø 3.3mm	2 x Ø 1.95mm
Cross-lighter		0.026	0.016
Pilot Injectors		SIT51	SIT35
Supply Pressure	mbar	20	37
Operating Pressure	mbar	11.2	34.5

G3865 INJECTOR SIZES & PRESSURE			
		NATURAL GAS	PROPANE
G3865 main burner injector		4 x Ø 2.38mm	4 x Ø 1.47mm
Cross-lighter		2x0.026	2x0.016
Pilot Injectors		2xSIT51	2xSIT35
Supply Pressure	mbar	20	37
Operating Pressure	mbar	13*	35.6

\*Burner manifold pressure should be set with both pans on.

### 6.3 HEAT INPUT TABLE

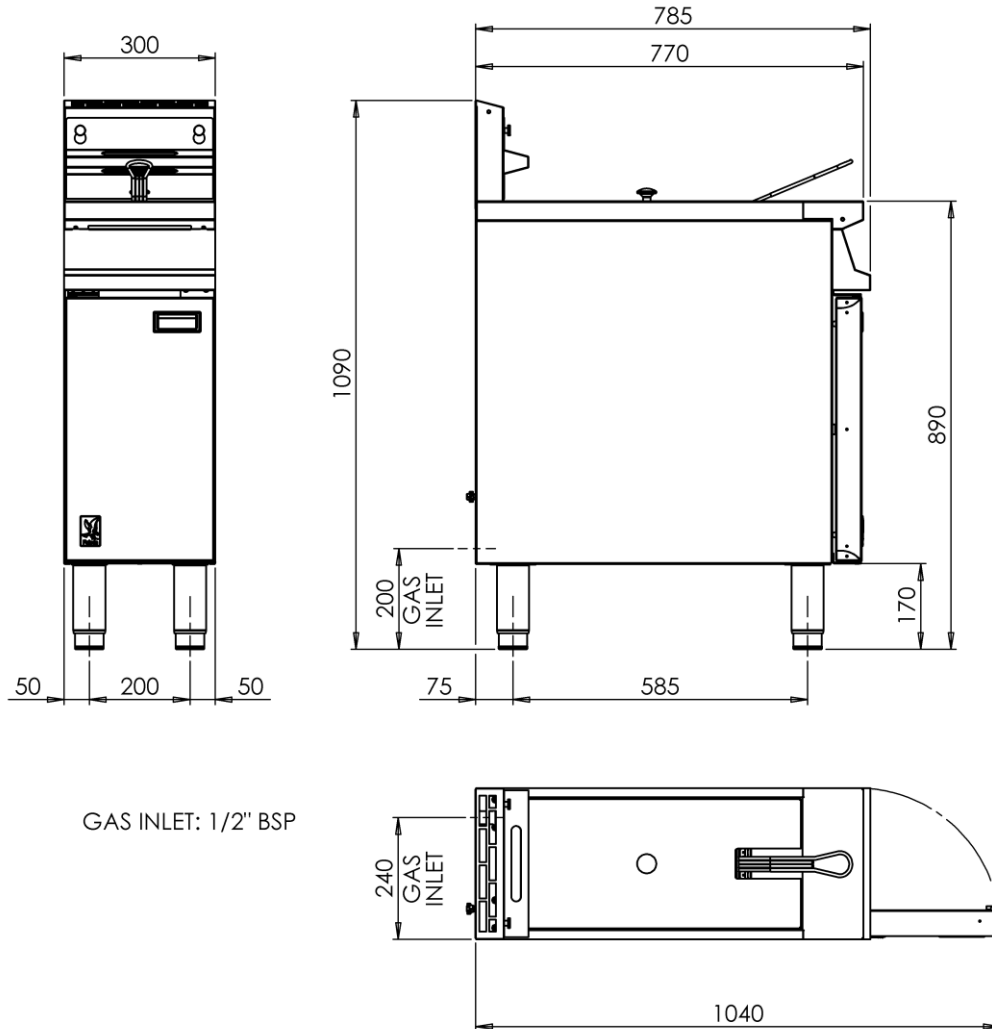
HEAT INPUTS (NATURAL GAS AND PROPANE)		
APPLIANCE	kW <sub>net</sub>	Btu/hr <sub>gross</sub>
G3830	16.7	62,700
G3860	30	112,600
G3865	2 x 16.7	2 x 62,700



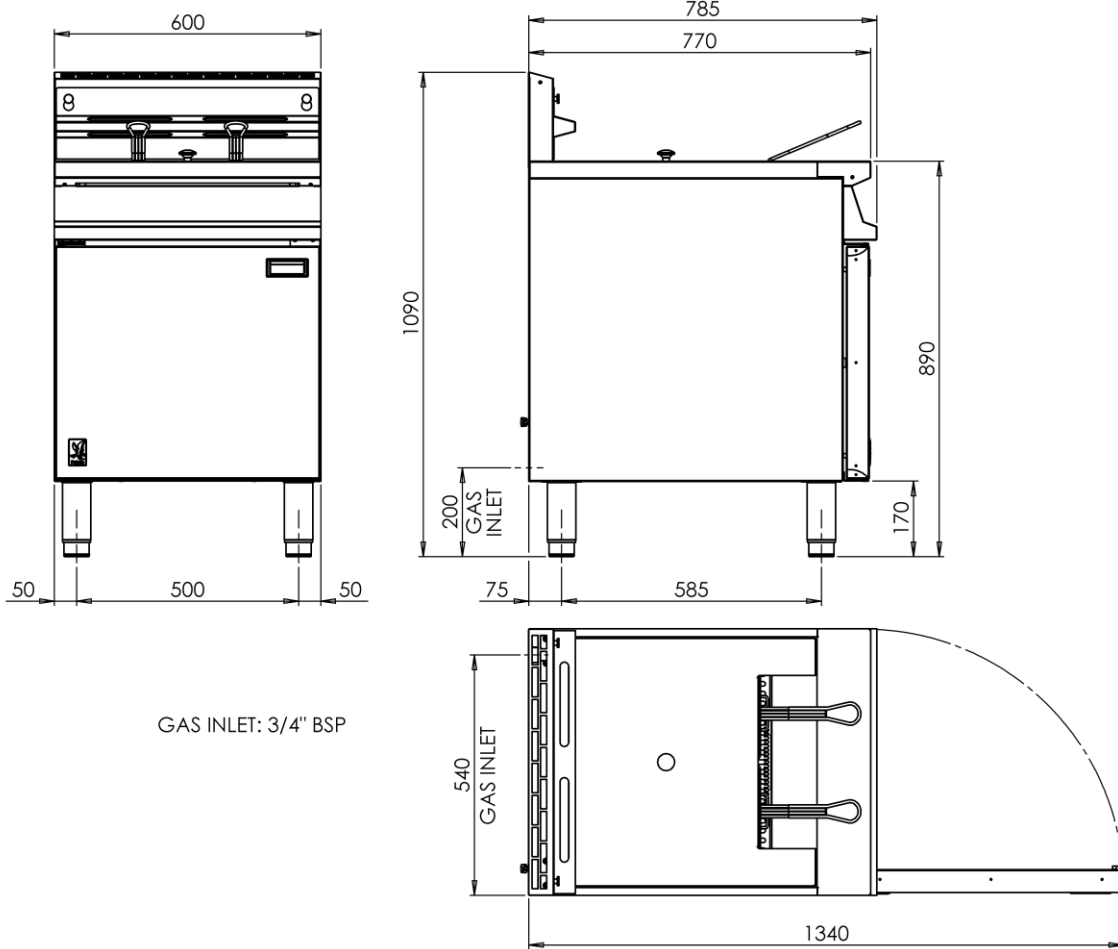
## 7.0 DIMENSIONS / CONNECTION LOCATIONS

---

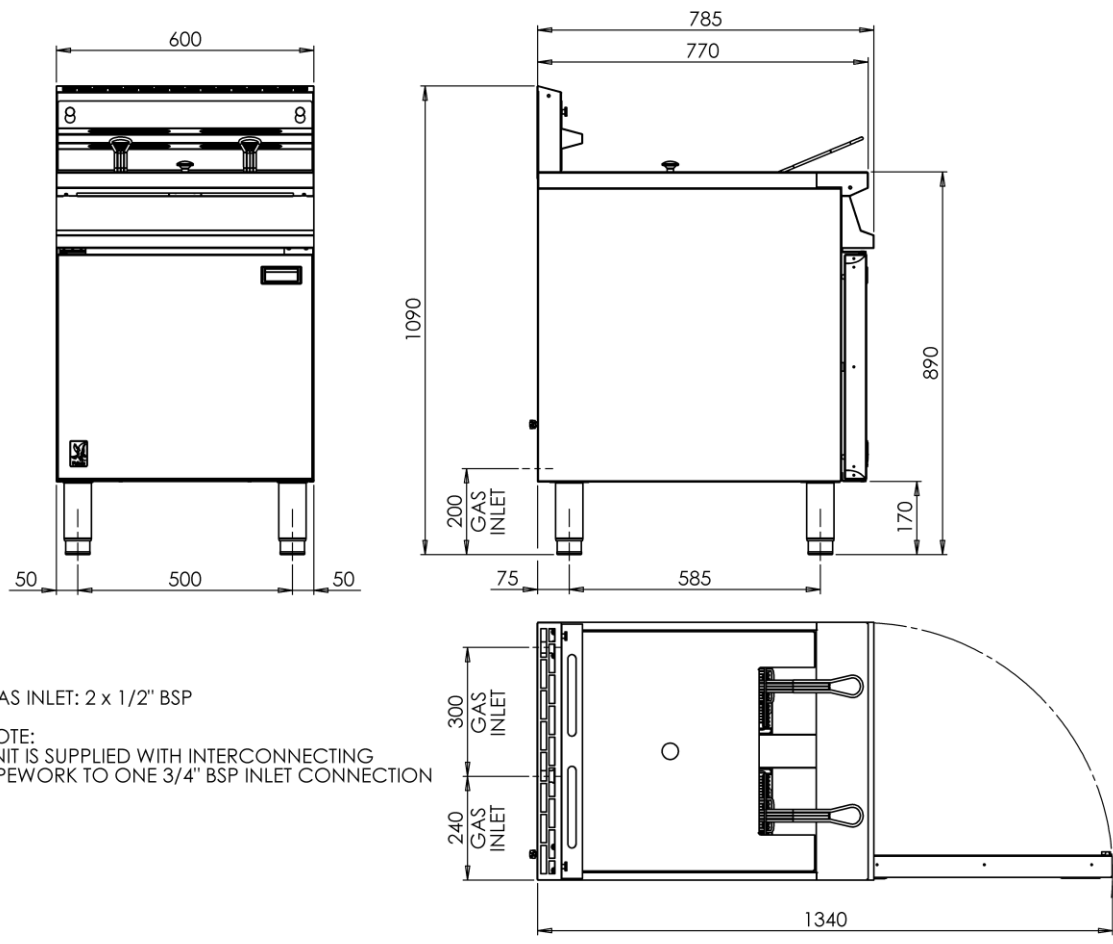
### 7.1 G3830 FRYER



## 7.2 G3860 FRYER



### 7.3 G3865 FRYER



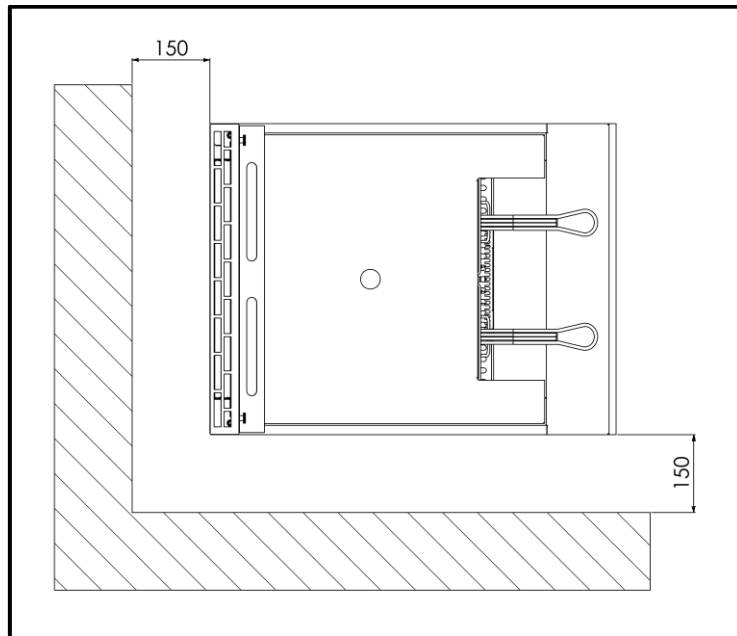
GAS INLET: 2 x 1/2" BSP  
 NOTE:  
 UNIT IS SUPPLIED WITH INTERCONNECTING  
 PIPEWORK TO ONE 3/4" BSP INLET CONNECTION

## 8.0 INSTALLATION

---

UNLESS OTHERWISE STATED, PARTS WHICH HAVE BEEN PROTECTED BY THE MANUFACTURER ARE NOT TO BE ADJUSTED BY THE INSTALLER.

### 8.1 SITING / CLEARANCES



**CAUTION: WALLS CLOSER THAN 150mm TO THE APPLIANCE MUST BE NON COMBUSTIBLE. IF SITING THE NECESSARY CLEARANCES TO ANY CUMBUSTIBLE WALL MUST BE THE LARGEST FIGURE GIVEN FOR INDIVIDUAL APPLIANCES INSTRUCTIONS.**

### 8.2 VENTILATION

This appliance must be installed with sufficient ventilation to prevent the occurrence of unacceptable concentrations of substances harmful to health in the room in which they are installed.

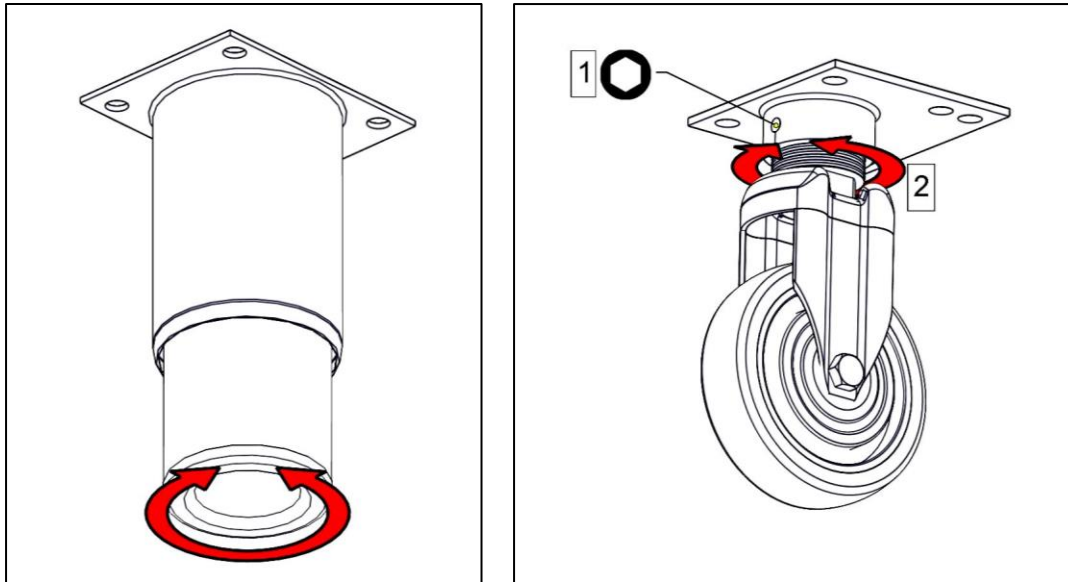
A competent installer **MUST** be used and be carried out in accordance with local and national regulations which apply at time of the installation.

Recommendations for Ventilation for gas appliances of rated input not exceeding  $70\text{kW}_{\text{net}}$  (1<sup>st</sup>, 2<sup>nd</sup>, and 3<sup>rd</sup> family gases) are given in BS 5440:2.

For multiple appliances the requirements for individual units must be added together.

### 8.3 ASSEMBLY

8.3.1 Position the appliance and level using feet adjusters as shown below.



**TAKE CARE WHEN MOVING AN APPLIANCE FITTED WITH CASTORS.**

8.3.2 Connect appliance to gas supply and test for gas tightness (see section 8.4)



This appliance is also provided with a terminal for connection of an external equipotential conductor. This terminal is an effective electrical contact with all fixed exposed metal parts of the appliance and shall allow the connection of conductor having a nominal cross-section area of up to 10mm<sup>2</sup>. It is located at the rear of the unit and identified by the following label and must only be used for bonding purposes.

## 8.4 GAS SUPPLY & CONNECTION

8.4.1 Installation pipe work should be fitted in accordance with local / national standards such as IGEN/UP/2. The pipe work must not be smaller than unit gas inlet connection. If using flexible hosing, the hose must be sized to conform to BS 6173 and the length must not exceed 1.5m. An isolating valve must be located close by for shutdown during an emergency or servicing. An inlet manifold is supplied with G3865 twin-pan models to enable connection to 3/4" BSP inlets.

8.4.2 If flexible hose is used, it shall comply with national requirements. These must be periodically examined and replaced as necessary. A retention chain must also be attached to the rear of the appliance.

8.4.3 **Natural Gas Appliance** - Supplied governor must be fitted to the rear of the appliance.

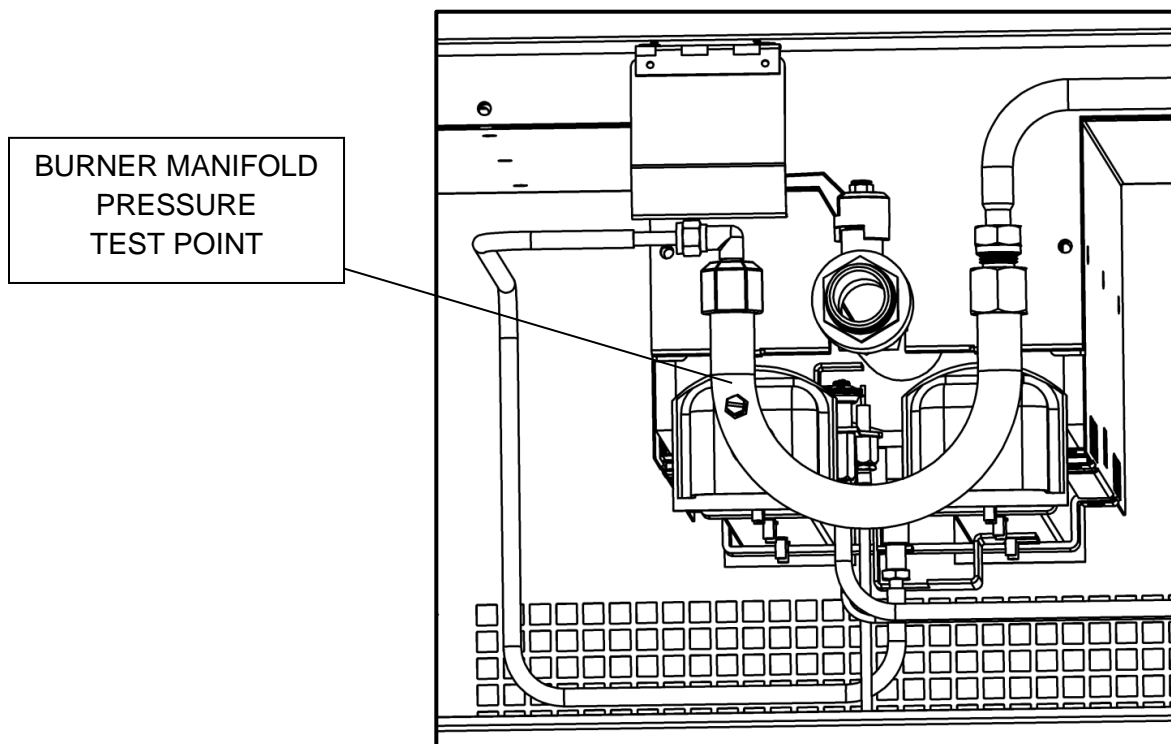
8.4.4 The installation should be checked for gas tightness and purged as specified in IGE/UP/1.

## 8.5 COMMISSIONING

Refer to section 2.2 Installation Safety and 4.0 Operation. If safety thermostat is activated, refer to section 4.6 Safety Reset.

Carry out the following operation:

8.5.1 Turn the main gas supply on to the appliance.



8.5.2 Connect a suitable pressure gauge to the pressure test point on the burner manifold and ensure the burner operational pressure is correct (see section 6.2 for gas pressures).

8.5.3 **Natural Gas Appliance only** – Adjust Governor as shown in section 10.7.

8.5.4 Fill pan with cold oil to the MIN mark.

8.5.5 Light pilot(s) and ensure they stay lit.

8.5.6 Turn on main burner(s) and check for smooth and rapid cross-lighting, good flame stability and flame picture.

8.5.7 Checking the user thermostat calibration: Using a reliable thermometer with measurement tip immersed 25mm below oil surface at centre of pan.

Set the temperature control to 190°C. Measure oil temperature during heat-up from ambient. The temperature reading when main burner goes OFF should be:

G3830 and G3865	178-188°C
G3860	180-188°C

8.5.8 Switch appliance off. Disconnect pressure gauge and replace sealing screw and check for gas tightness.

If the appliance does not operate correctly, please refer to section 10.0 and rectify the problem.



**PLEASE FILL OUT THE INFORMATION TABLE ON THE FRONT COVER AFTER COMMISSIONING. HAND INSTRUCTIONS TO RESPONSIBLE PERSON.**

## 9.0 CONVERSION

---



**BEFORE INSPECTION, SERVICING OR CONVERSION, TURN OFF GAS AT ISOLATOR.**

Identify and check Injector sizes provided in conversion kit (see table section 6.2).

### 9.1 GAS CONVERSION CHECK LIST

- Change injectors in burner(s), cross-lighter(s) and pilots(s) (see 10.4 & 10.5).
- Change gas type label(s).
- For natural gas (G20) an appliance governor is required to be fitted.
- For Propane (G31) an appliance governor is not required to be fitted.

Once unit has been converted, the installation should be checked for gas tightness and purged as specified in IGE/UP/1.

Finalise conversion by carrying out commissioning checks and tests (see section 8.5).

## 10.0 SERVICING

---

### SERVICE INFORMATION

This unit carries an extensive mainland UK warranty. The warranty is in addition to and does not change your statutory or legal rights.

The warranty policy can be found on our website which details the conditions of the warranty and the exclusions.

<https://www.falconfoodservice.com/info-centre/policy>



Service calls to equipment under warranty will be carried out in accordance with the conditions of sale.

Warranty calls can be made between 8:30 am and 5:00 pm weekdays only.

To ensure your warranty enquiry is handled as efficiently as possible, ensure you have the following appliance information prior to calling us:

1. Model number – found on data plate
2. Serial number – found on data plate
3. Brief description of the issue

To contact Falcon for a warranty issue dial (UK only) 01786 455 200 and select Warranty Issues from the menu.



**BEFORE INSPECTION, SERVICING OR CONVERSION, TURN OFF GAS AT ISOLATOR.**



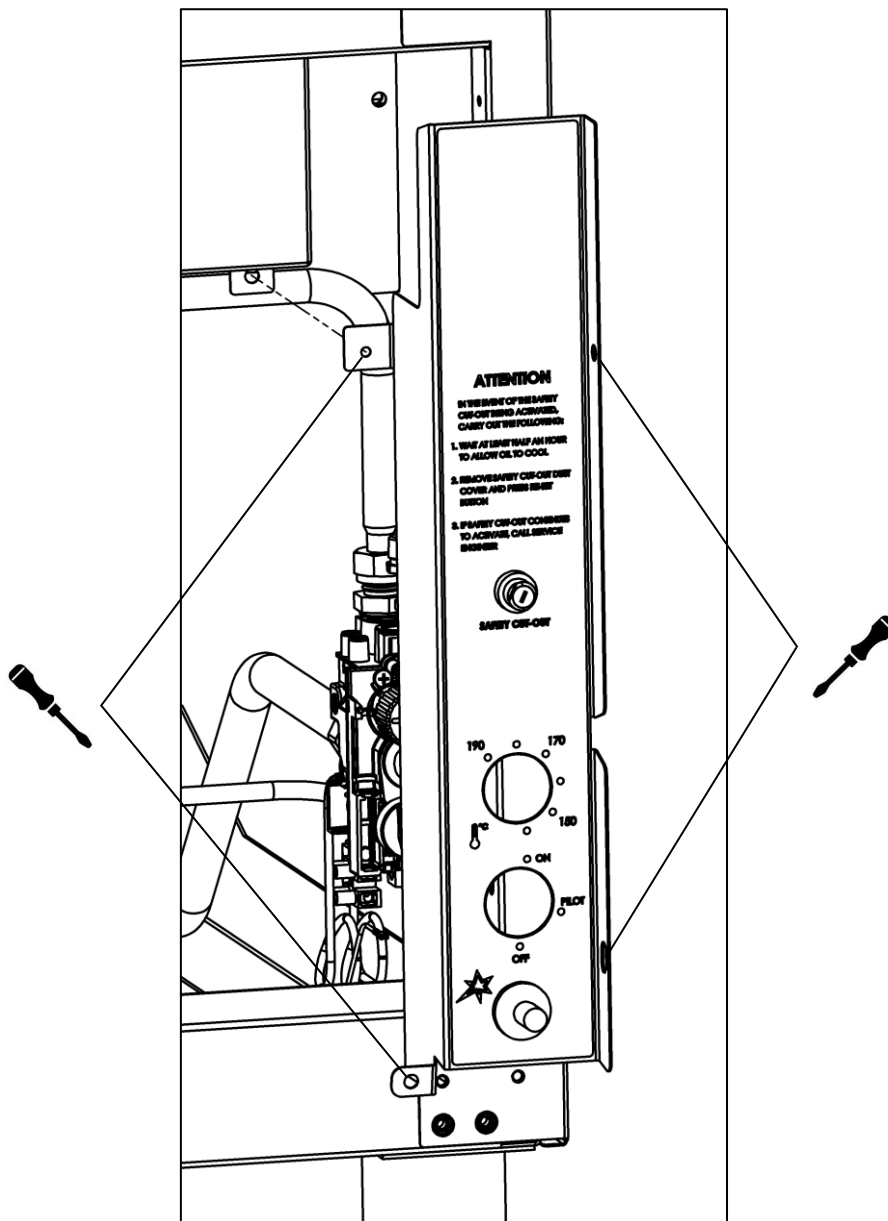
### PREVENTATIVE MAINTENANCE CONTRACT

To obtain maximum performance from this unit regular servicing of the appliance should be undertaken to ensure correct operation, it is functioning as intended, and safe to use. We recommend servicing in accordance with SFG20 Maintenance Schedules and as a minimum, after 2,500 hours of use, or annually, whichever comes first and that a maintenance contract be arranged with an appointed service contact. Visits may then be made at agreed intervals to carry out adjustments and repairs.



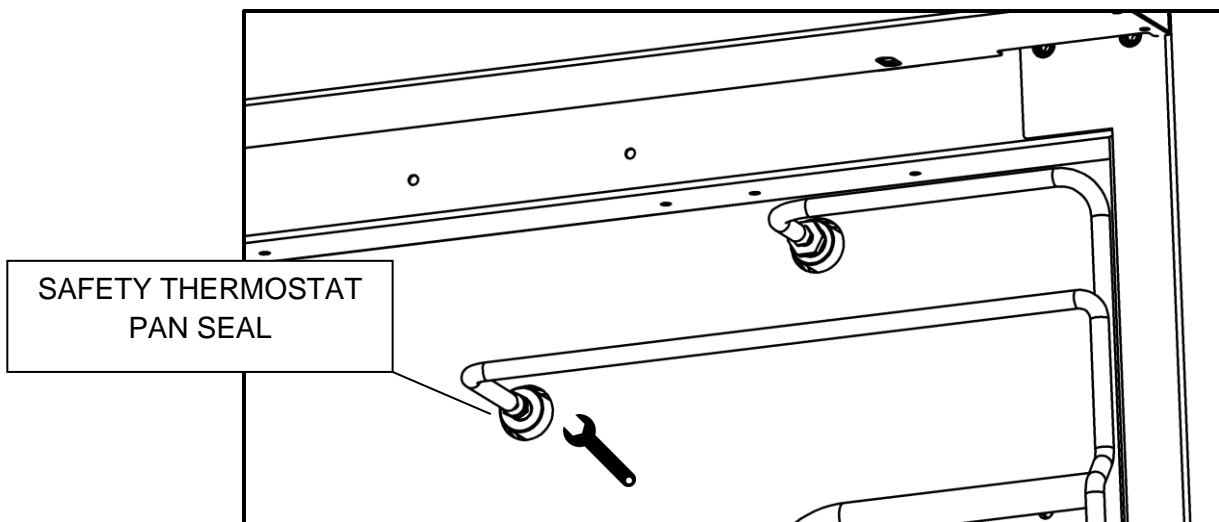
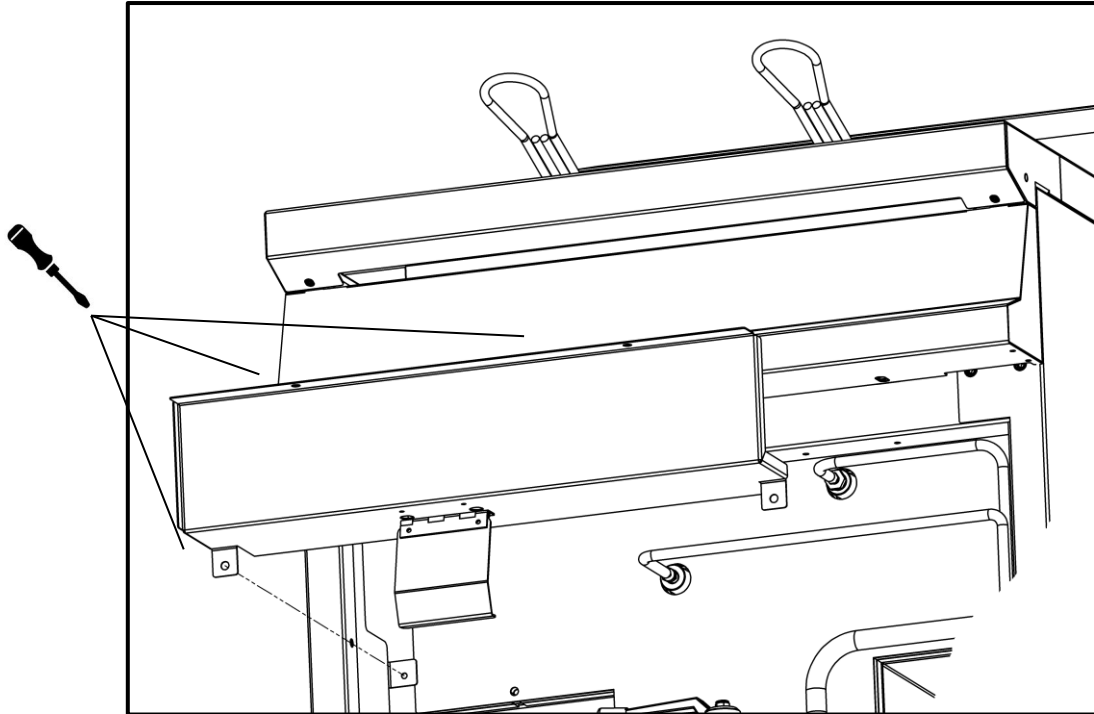
## 10.1 CONTROL PANEL

10.1.1 Remove the control panel to gain access to the control components:

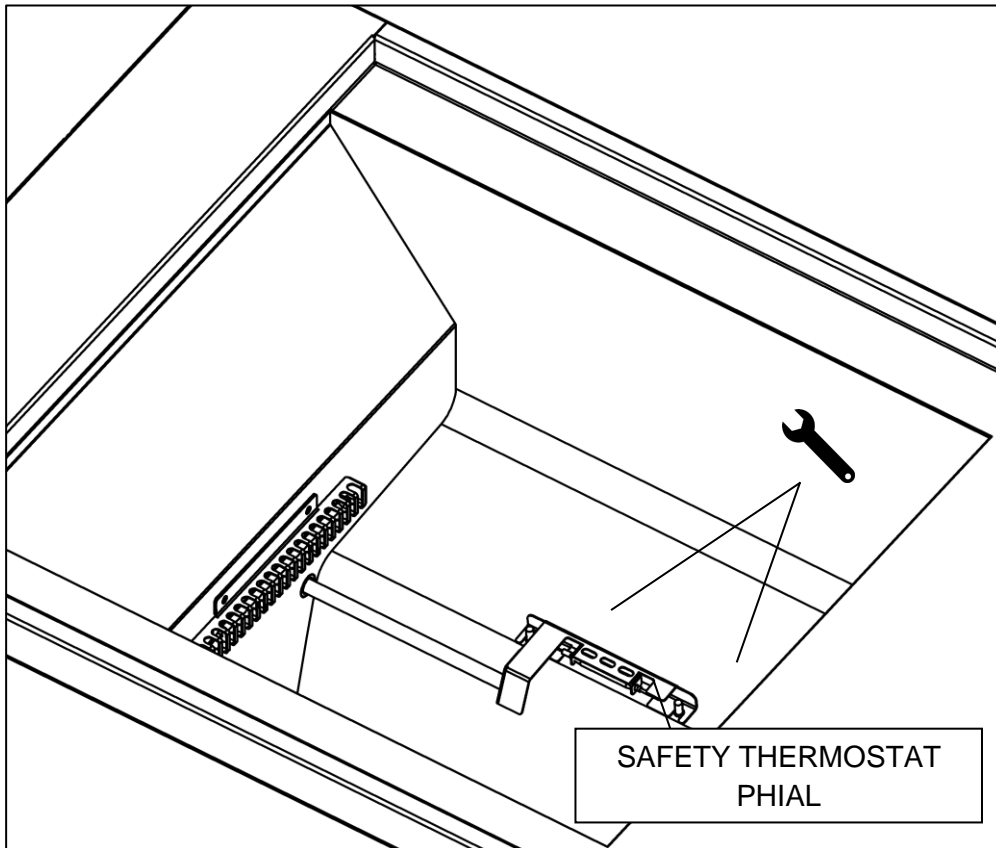


## 10.2 SAFETY THERMOSTAT

10.2.1 To remove the safety thermostat – first step, remove cover panel then loosen phial capillary pan seal:



10.2.2 Second step, remove the sleeve nuts holding the phial cover then unclip the phial from the cover. Use a screwdriver to knock the sealing gland out within the pan boss to withdraw the phial from the pan.



10.2.3 When replacing the phial, apply an appropriate oil and temperature rated sealant on the pan sealing nut to fix it in place.

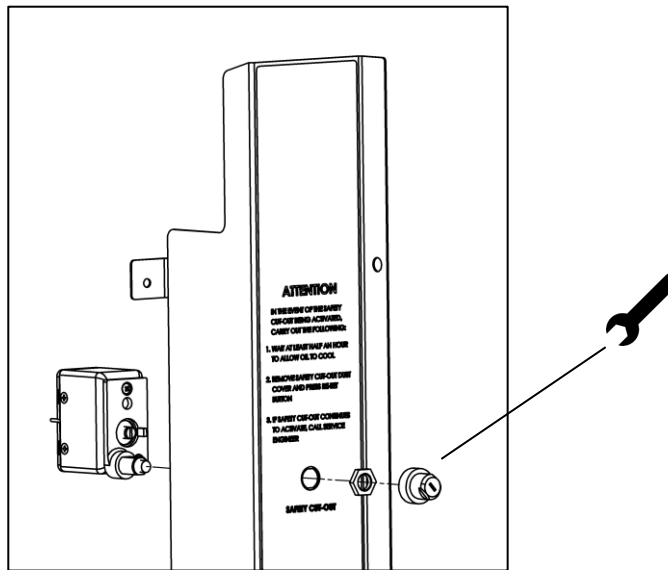


**THE PHIAL AND CAPILLARY TUBE ARE OIL FILLED. INCREASED TEMPERATURE EXERTS PRESSURE ON THE THERMOSTATIC SWITCH WITHIN THE THERMOSTAT BODY.**

**TAKE CARE TO ENSURE THERE ARE NO SHARP BENDS ON THE CAPILLARY TUBE WHICH WILL AFFECT CORRECT PRESSURE SWITCH OPERATION.**

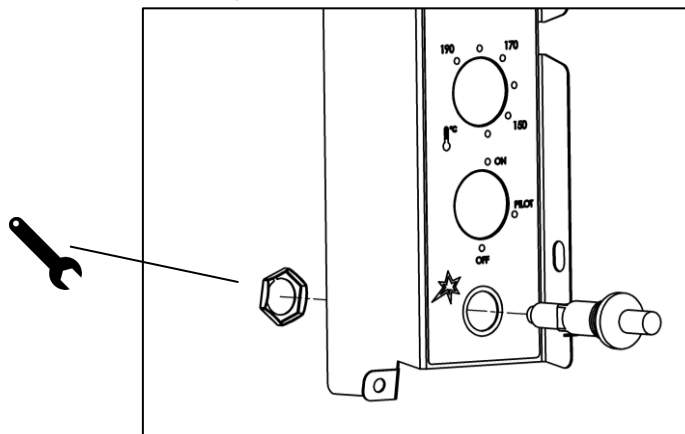
**THE CAPILLARY SECTION WITHIN THE CONTROL COMPARTMENT MUST BE FULLY SLEEVED TO PROTECT AGAINST EXCESS HEAT.**

10.2.4 To remove safety thermostat body, remove spindle nut that secures thermostat to control panel:

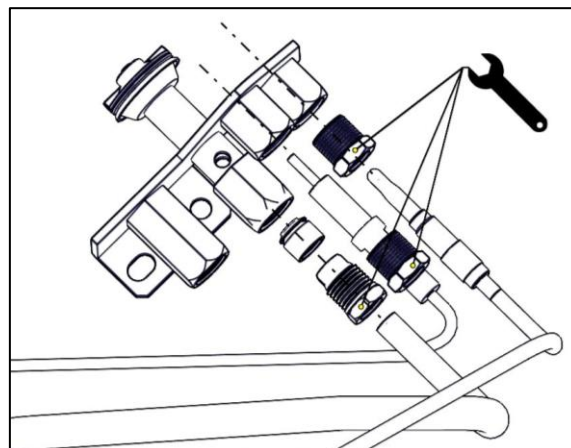


### 10.3 PIEZO IGNITER AND SPARK ELECTRODE

To remove piezo igniter, pull electrode and earth leads off at rear before removing fixing nut holding the igniter to the control panel.

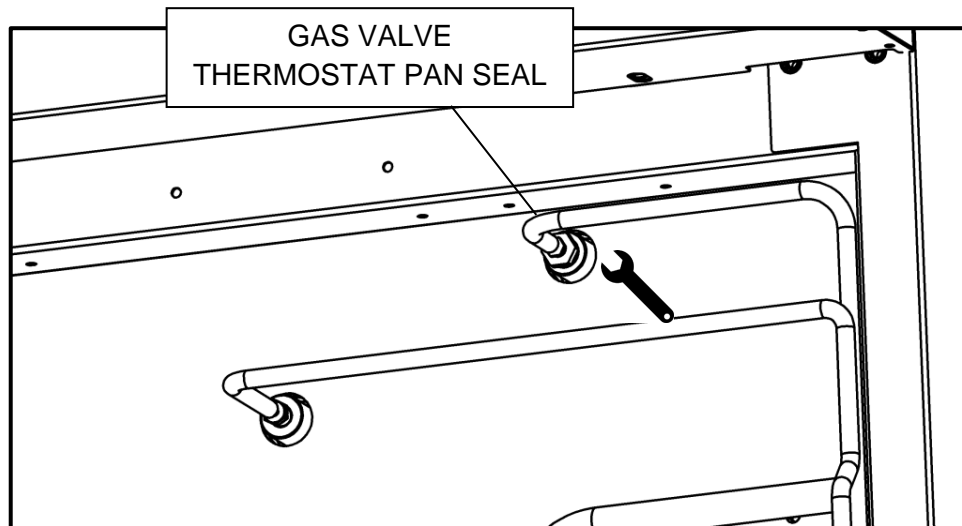
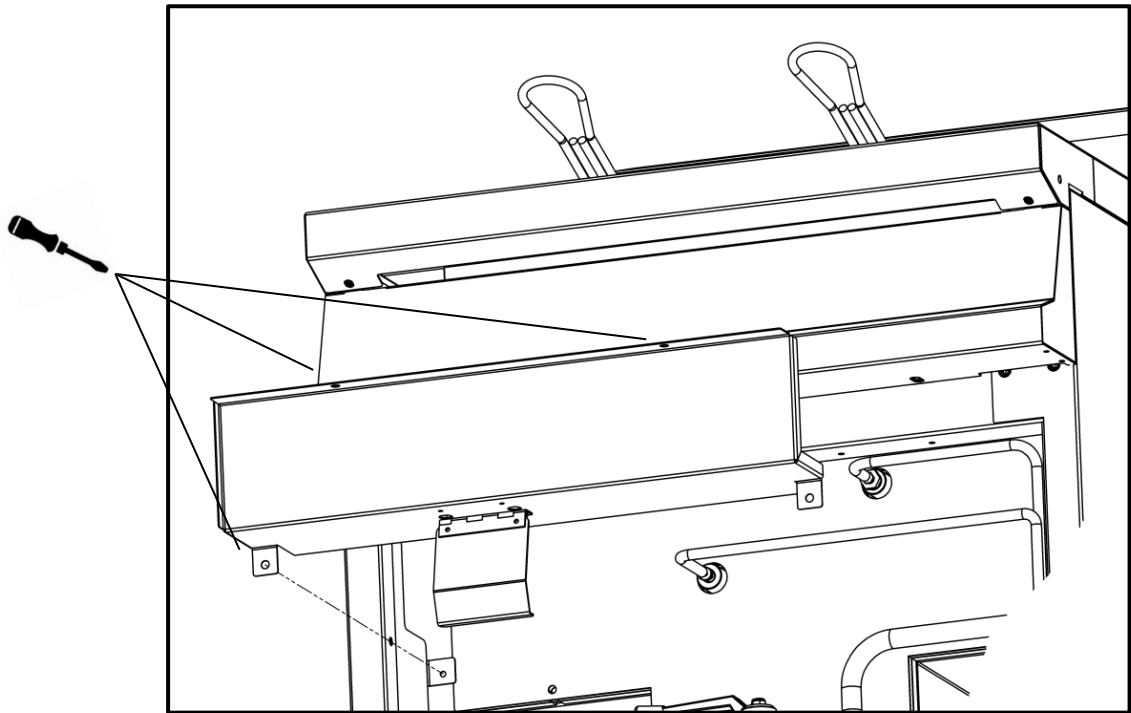


The spark electrode is attached to the pilot assembly. Undo fixing nut to remove as shown below:

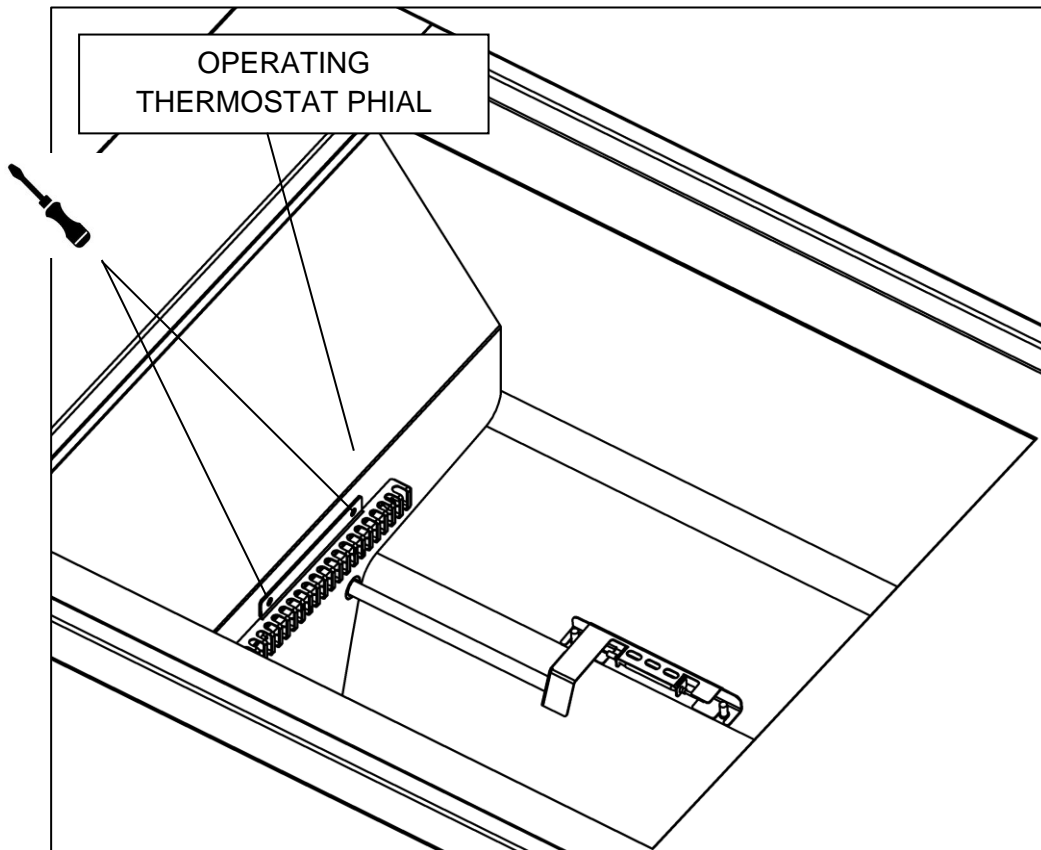


## 10.4 GAS VALVE

10.4.1 First step - remove cover panel then loosen phial capillary pan seal:



10.4.2 Second step, remove the screws holding the operating thermostat phial cover then unclip the phial from the cover. Use a screwdriver to knock the sealing gland out to remove the phial.



10.4.3 When replacing the phial, apply an appropriate oil and temperature rated sealant on the pan sealing nut to fix it in place.

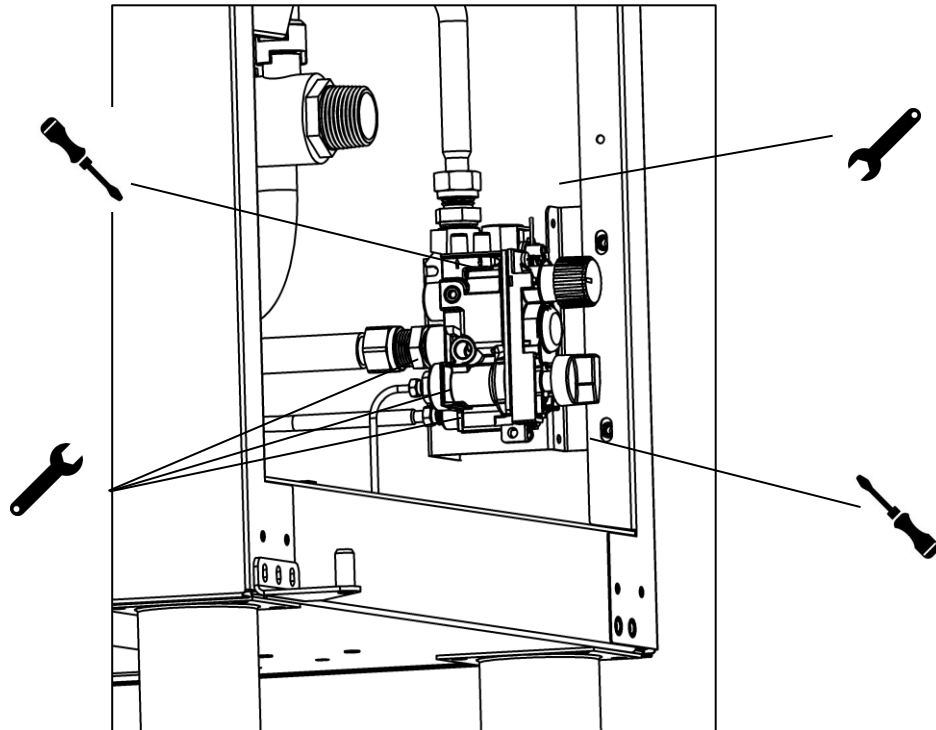


**THE PHIAL AND CAPILLARY TUBE ARE OIL FILLED. INCREASED TEMPERATURE EXERTS PRESSURE ON THE THERMOSTATIC SWITCH WITHIN THE THERMOSTAT BODY.**

**TAKE CARE TO ENSURE THERE ARE NO SHARP BENDS ON THE CAPILLARY TUBE WHICH WILL AFFECT CORRECT PRESSURE SWITCH OPERATION.**

**THE CAPILLARY SECTION WITHIN THE CONTROL COMPARTMENT MUST BE FULLY SLEEVED TO PROTECT AGAINST EXCESS HEAT.**

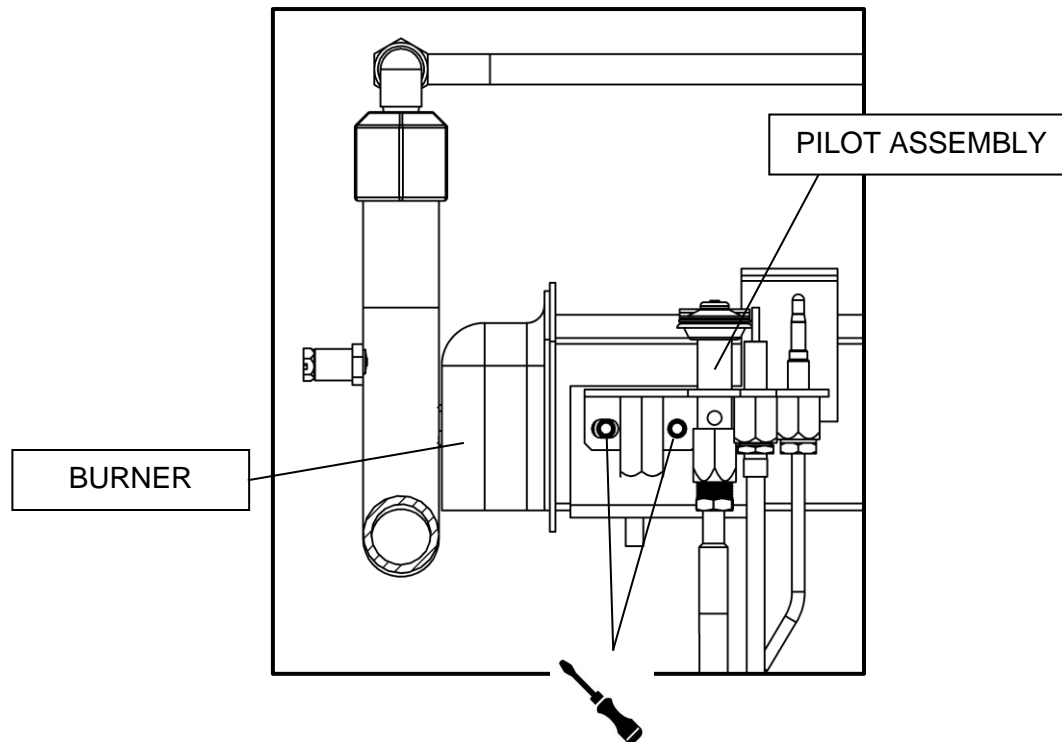
10.4.4 To remove the gas valve from the gas pipework first undo main burner pipe compression fitting. Remove the 4 screws that hold the gas valve to bracket and bracket to appliance structure to allow valve to be pulled forward and give better access to rear pipework and thermocouple connections. See illustration below.



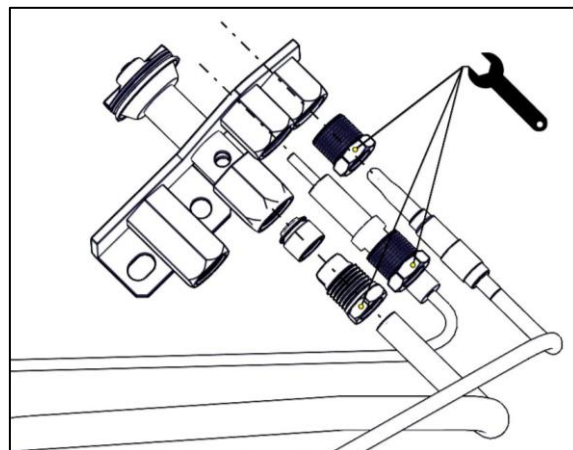
**WHEN RE-FITTING THERMOCOUPLE TO VALVE, TIGHTEN WITH TORQUE SETTING 1-2Nm. TAKE CARE NOT TO OVER-TIGHTEN.**

## 10.5 PILOT ASSEMBLY

10.5.1 Remove the fixings holding the pilot assembly to the mounting bracket and drop the entire pilot assembly down to gain access to it.



10.5.2 Pilot gas pipe/injector, thermocouple and electrode can now be removed.

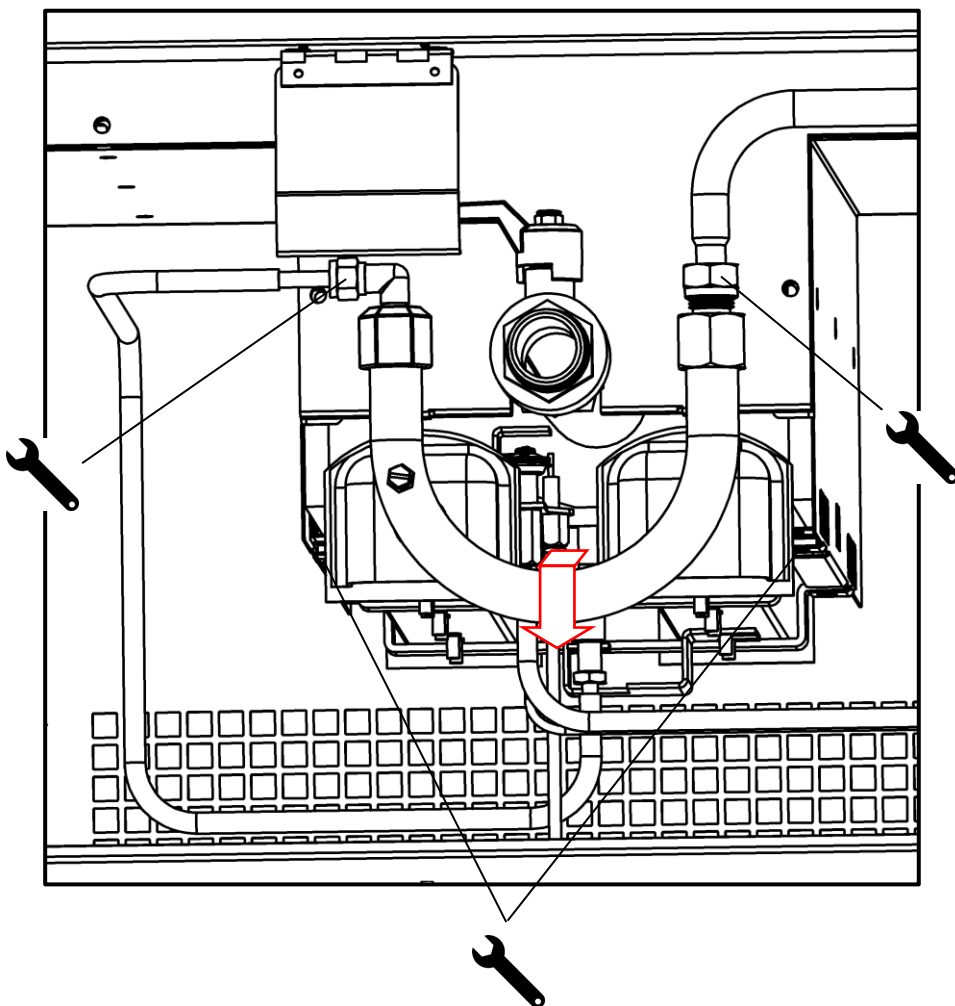


**WHEN REPLACING THE PILOT ASSEMBLY, TAKE CARE WITH THE ROUTING OF THE CABLE AND PIPE WORK. THE ELECTRODE CABLE MUST BE ROUTED TOWARDS THE FRONT OF THE UNIT AND NOT LOOPING INSIDE THE UNIT. ALSO, THE VIDAFLEX SLEEVING MUST BE ON THE CABLE.**



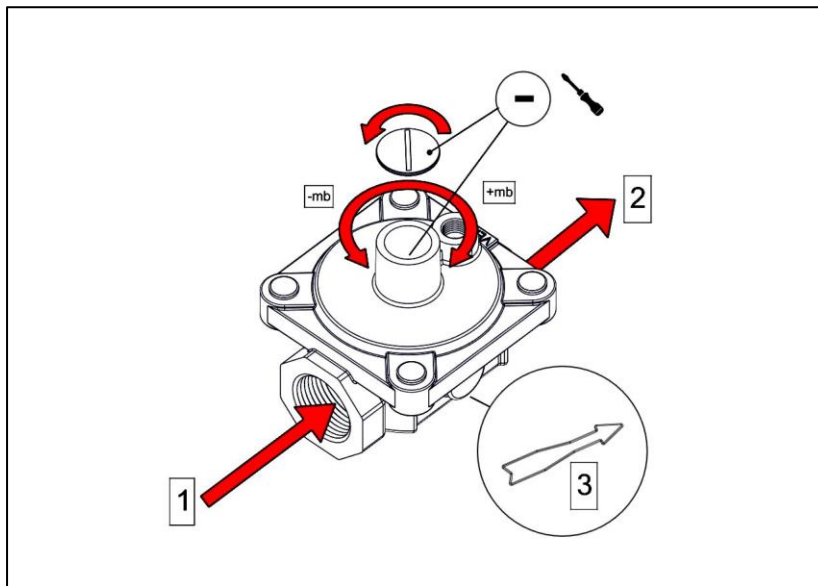
## 10.6 BURNER

- 10.6.1 Remove fixings that secure pilot and cross-lighter assemblies to main burner and drop the assemblies slightly.
- 10.6.2 Disconnect the compression joints above manifold.
- 10.6.3 Undo burner bracket fixings that retain burner assembly front cross strap to side runners.
- 10.6.4 Pull burner assembly forward and drop slightly to clear the front strap. While supporting the weight of the assembly, push it back to clear rear strap from runners. Lower and withdraw.



## 10.7 GOVERNOR

10.7.1 Natural Gas Appliance only – Adjust Governor as shown.



1 – Gas in

2 – Gas out

3 – Direction of flow



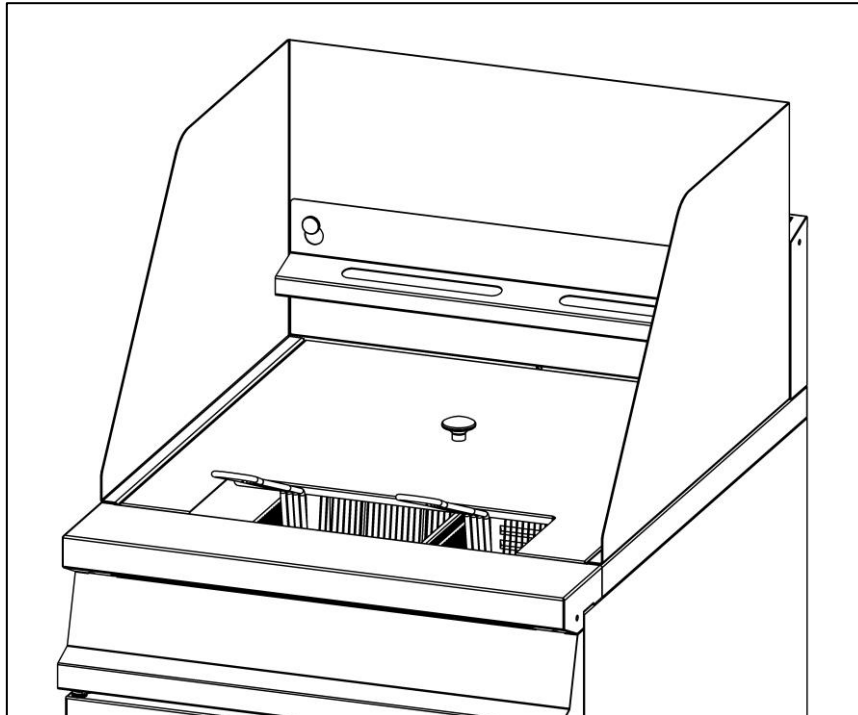
**GOVERNOR SUPPLIED IS MAINTENANCE FREE. ENSURE THE BLUE DUST CAP COVERING THE VENT IS FITTED AND IN GOOD CONDITION.**

## 11.0 ACCESSORIES

---

### 11.1 SPLASHGUARD

11.1.1 Remove basket hanger and place splashguard on top of the hob. Refit the basket hanger in front of the splashguard to secure them in place.



## 12.0 FAULT FINDING

FAULT	POSSIBLE CAUSES	REMEDY	USER	*ENG
Burner/Pilot will not light/stay lit.	No gas to the unit.	Check main gas is turned on.	✓	
	Safety thermostat has activated.	Reset safety thermostat as per section 2.5 If activates again call service engineer.	✓	
	Blocked injector.	Clean or replace injector.		✓
	Flame detection thermocouple issue	Check pilot and valve connections or replace		✓
Safety thermostat activated	Low oil level	Add oil to min level mark	✓	
	Burner switched ON without any oil in pan.	Add oil to min level mark. Ensure the pan is never empty when the burner is ON.	✓	
	Fault with either operating or safety thermostat calibration or switch.	Check operating and safety thermostat calibrations. Replace faulty component		✓
Oil not getting up to the desired temperature.	Main burner not coming on.	Make sure the burner gas control knob is turned from PILOT to ON position.	✓	
	Thermostat temperature control knob in OFF position or at wrong setting.	Turn temperature control knob to correct setting.	✓	
	Faulty thermostat.	Replace thermostat.		✓

PROBLEM	POSSIBLE CAUSES	REMEDY	USER	*ENG
Surge Boiling	Over loading with wet food	Reduce the amount of wet food	✓	
	Overloading with oil	Reduce the amount of oil to the Min Level	✓	
Pan Not Draining	Blocked with debris	Clean drain hole	✓	

\*ENG Service engineer only.

## 13.0 SPARE PARTS

---

PART DESCRIPTION	
Dust Cover	
Basket	
Fry Plate	
Crumb Catcher	
Basket Hanger	
Drain Tube	
Front Facia	
Door Assembly	
Piezo Igniter	
Safety Thermostat	
Gas Valve	

When ordering spare parts please quote the following:

**Model Number**

**Serial number**

**Gas type**

This information will be found on data plate attached to the appliance  
Visit our website for further spares information.